

HOLOMIND PERCEIVER INDEX

HOLOMIND PERCEIVER INDEX KEY

1-441 Base Matrix Units in black • 1-49 Units of each Outer Time Dimension in red
 1-49 Units of each Radial Time Dimension in blue • 1-49 Units of Inner Time Dimension in violet

1ST TIME DIMENSION
 COSMIC CREATION

7TH TIME DIMENSION
 VERTICAL TIME DESCENDING
 GM108X FORCE FIELD

2ND TIME DIMENSION
 COSMIC ASCENSION
 PLEIADES FORCE FIELD

5TH TIME DIMENSION
 RADIAL RIGHT-HAND TIME
 AA MIDWAY STATION FORCE FIELD

6TH TIME DIMENSION
 RADIAL LEFT-HAND TIME
 ANTARES FORCE FIELD

	V.1	V.2	V.3	V.4	V.5	V.6	V.7	V.8	V.9	V.10	V.11	V.12	V.13	V.14	V.15	V.16	V.17	V.18	V.19	V.20	V.21
H.1	7	8	9	10	11	12	13	1	2	3	4	5	6	7	1	2	3	4	5	6	7
H.2	6	19	20	21	22	23	24	8	9	10	11	12	13	14	14	15	16	17	18	19	8
H.3	5	18	29	30	31	32	33	15	16	17	18	19	20	21	25	26	27	28	29	20	9
H.4	4	17	28	37	38	39	40	22	23	24	25	27	27	28	34	35	36	37	30	21	10
H.5	3	16	27	36	43	44	45	29	30	31	32	33	34	35	41	42	43	38	31	22	11
H.6	2	15	26	35	42	47	48	36	37	38	39	40	41	42	46	47	44	39	32	23	12
H.7	1	14	25	34	41	46	49	43	44	45	46	47	48	49	49	48	45	40	33	24	13
H.8	1	8	15	22	29	36	43	13	12	11	10	9	8	7	43	36	29	22	15	8	1
H.9	2	9	16	23	30	37	44	14	33	32	31	30	29	6	44	37	30	23	16	9	2
H.10	3	10	17	24	31	38	45	15	34	45	44	43	28	5	45	38	31	24	17	10	3
H.11	4	11	18	25	32	39	46	16	35	46	49	42	27	4	46	39	32	25	18	11	4
H.12	5	12	19	27	33	40	47	17	36	47	48	41	26	3	47	40	33	27	19	12	5
H.13	6	13	20	27	34	41	48	18	37	38	39	40	25	2	48	41	34	27	20	13	6
H.14	7	14	21	28	35	42	49	19	20	21	22	23	24	1	49	42	35	28	21	14	7
H.15	1	14	25	34	41	46	49	43	44	45	46	47	48	49	49	48	45	40	33	24	13
H.16	2	15	26	35	42	47	48	36	37	38	39	40	41	42	46	47	44	39	32	23	12
H.17	3	16	27	36	43	44	45	29	30	31	32	33	34	35	41	42	43	38	31	22	11
H.18	4	17	28	37	38	39	40	22	23	24	25	27	27	28	34	35	36	37	30	21	10
H.19	5	18	29	30	31	32	33	15	16	17	18	19	20	21	25	26	27	28	29	20	9
H.20	6	19	20	21	22	23	24	8	9	10	11	12	13	14	14	15	16	17	18	19	8
H.21	7	8	9	10	11	12	13	1	2	3	4	5	6	7	1	2	3	4	5	6	7
	41	40	39	38	37	36	35	34	33	32	31	30	29	28	27	26	25	24	23	22	21
	42	117	116	115	114	113	112	111	110	109	108	107	106	105	104	103	102	101	100	99	20
	43	118	185	184	183	182	181	180	179	178	177	176	175	174	173	172	171	170	169	98	19
	44	119	186	245	244	243	242	241	240	239	238	237	236	235	234	233	232	231	168	97	18
	45	120	187	246	297	296	295	294	293	292	291	290	289	288	287	286	285	230	167	96	17
	46	121	188	247	298	341	340	339	338	337	336	335	334	333	332	331	284	229	166	95	16
	47	122	189	248	299	342	377	376	375	374	373	372	371	370	369	330	283	228	165	94	15
	48	123	190	249	300	343	378	405	404	403	402	401	400	399	368	329	282	227	164	93	14
	49	124	191	250	301	344	379	406	425	424	423	422	421	398	367	328	281	226	163	92	13
	50	125	192	251	302	345	380	407	426	437	436	435	420	397	366	327	280	225	162	91	12
	51	126	193	252	303	346	381	408	427	438	441	434	419	396	365	326	279	224	161	90	11
	52	127	194	253	304	347	382	409	428	439	440	433	418	395	364	325	278	223	160	89	10
	53	128	195	254	305	348	383	410	429	430	431	432	417	394	363	324	277	222	159	88	9
	54	129	196	255	306	349	384	411	412	413	414	415	416	393	362	323	276	221	158	87	8
	55	130	197	256	307	350	385	386	387	388	389	390	391	392	361	322	275	220	157	86	7
	56	131	198	257	308	351	352	353	354	355	356	357	358	359	360	321	274	219	156	85	6
	57	132	199	258	309	310	311	312	313	314	315	316	317	318	319	320	273	218	155	84	5
	58	133	200	259	260	261	262	263	264	265	266	267	268	269	270	271	272	217	154	83	4
	59	134	201	202	203	204	205	206	207	208	209	210	211	212	213	214	215	216	153	82	3
	60	135	136	137	138	139	140	141	142	143	144	145	146	147	148	149	150	151	152	81	2
	61	62	63	64	65	66	67	68	69	70	71	72	73	74	75	76	77	78	79	80	1

3RD TIME DIMENSION
 COSMIC SYNCHRONIZATION

8TH TIME DIMENSION
 VERTICAL TIME ASCENDING
 ARCTURUS FORCE FIELD

4TH TIME DIMENSION
 COSMIC CUBE
 SIRIUS FORCE FIELD

9TH TIME DIMENSION (CENTER)
 INNER CORE TIME
 FORCE FIELD OF THE UNIVERSAL COSMIC CORE

HOLOMIND PERCEIVER MATRIX

	V.1	V.2	V.3	V.4	V.5	V.6	V.7	V.8	V.9	V.10	V.11	V.12	V.13	V.14	V.15	V.16	V.17	V.18	V.19	V.20	V.21	
H.1	7	-8	-9	-10	-11	-12	-13	-	+	66	82	106	-	+	+1	+2	+3	+4	+5	+6	7	
H.2	+6	7	-8	-9	-10	-11	-11	-26	+27	68	84	108	-1	+2	+1	+3	+4	+5	+6	7	-8	
H.3	+5	+6		-12	-10	-25	+28	70	86	110	-4	+3	+2	+2		-8	-9					
H.4	+4	+5		-13	-9	-22	+23	71	87	111	-5	+6	+3	+1		-9	-10					
H.5	+3	+4		-8	-21	+24	72	88	109	-8	+7	+4		-10	-11							
H.6	+2	+3	+2	+1		-7	-18	+19	69	85	107	-9	+10	+5		-13	-12	-11	-12			
H.7	+1	+1	+2	+3	+4	+5	6	-17	+20	67	83	112	-12	+11	6	-7	-8	-9	-10	-11	-13	
H.8		+2	+3	+6	+7	+10	+11		15	65	81	105	13		-17	-18	-21	-22	-25	-26		
H.9		-1	-4	-5	-8	-9	-12	13	16		16	15	+20	+19	+24	+23	+28	+27				
H.10	-1	-2	-3	-4	-5	-6	-7	-							+	+7	+6	+5	+4	+3	+2	+1
H.11	1	2	3	4	5	6	7								+	+7	+6	+5	+4	+3	+2	+1
H.12	+1	+2	+3	+4	+5	+6	+7	+						-	-7	-6	-5	-4	-3	-2	-1	
H.13		+1	+4	+5	+8	+9	+12	13	16		16	15	-20	-19	-24	-23	-28	-27				
H.14		-2	-3	-6	-7	-10	-11		15	98	90	74	13		+17	+18	+21	+22	+25	+26		
H.15	-1	-1	-2	-3	-4	-5	6	+17	-20	100	92	76	+12	-11	6	+7	+8	+9	+10	+11	+13	
H.16	-2	-3	-2	-1			+7	+18	-19	102	94	78	+9	-10	-5		+13	+12	+11	+12		
H.17	-3	-4		+8	+21	-24	103	95	79	+8	-7	-4		+10	+11							
H.18	-4	-5		+13	+9	+22	-23	101	96	80	+5	-6	-3	-1		+9	+10					
H.19	-5	-6		+12	+10	+25	-28	99	93	77	+4	-3	-2	-2		+8	+9					
H.20	-6	7	+8	+9	+10	+11	+11	+26	-27	97	91	75	+1	-2	-1	-3	-4	-5	-6	7	+8	
H.21	7	+8	+9	+10	+11	+12	+13			104	89	73			-1	-2	-3	-4	-5	-6	7	

INTERGALACTIC BULLETIN #16

HOLOMIND PERCEIVER INDEX

The Holomind Perceiver index is for advanced students of the Synchronic Order and Synchronotron and is meant to be studied alongside the Book of the Cube. Remember that the Holomind Perceiver does not exist apart from the system of the Cube and the system of the Cube does not exist apart from the synchronic order. The practices of synchronic order are necessary to give us context and understanding so that we can enter into this higher-dimensional level of reality. Discipline is required to comprehend the whole.

To understand the synchronic order is to understand the everyday whole system of moving variables that are encompassed in the 13 Moon/28-day standard. This gives us a module to work with so that we can establish multiple levels of consciousness as we track heptads, kin, cubes, codons etc. We know from the Telektonon interplanetary map that by opening to the frequencies of the 28-day cycle we open the stairway to heaven with the Uranian frequencies. The Uranian frequencies hold the overtone fifth that keeps the Earth frequency in place. Uranus is like our big sister stabilizer and is connected to us through telepathic frequencies that we augment every time we make conscious where we are at in “time.” The Uranian circuit is the 8th circuit of the Holomind Perceiver matrix, holding the powers of cosmic electricity.

Nine are the times, 49 units each enclosing the mystic lattices of the cosmic power of time.

INSTRUCTIONS FOR “READING” THE DAILY BMU’S ON THE HOLOMIND PERCEIVER INDEX

1) Find the Base Matrix Unit (BMU) on the Holomind Perceiver Index Key graphic at the beginning of this book. Note the coordinates and Time Dimension that the number is located in. 3) Match the coordinates to the Holomind Perceiver Matrix graphic located just after the Key.

Example. If we are looking for BMU 177. On the Holomind Perceiver Index Key We find it is located at V. 11, H. 3. We see that in the Holomind Perceiver Matrix this corresponds to UR Harmonic 86. We note that it is located in the 7th Time dimension (GM108X Force Field). And we see the number above 177 is 18. So in the Index we find number 18 in the 7th Time Dimension. We see it is UR Harmonic Rune 86: Galactic life Channels Space. Octave 3: Octave of the Galactic Life Whole. Rune strand 11. Third gate of unity of vertical time descending.

“The purpose of the daily study/meditation of the 441—1.3.3.1 cube matrix and its application as the Holomind Perceiver circuit chip is to comprehend as a totality and integrated child the Holomind Perceiver as a system of hyper plasmic flows, cosmic-electrical circuits and flows and sensory and extrasensory activation matrices functioning as a single radicalized unit with 4 + 1 primary coordinating functions. All of this is to be comprehended as a simultaneity of flows and functions that are activated not only by synchronic timespace sensory and extrasensory inputs and outputs, but also by telepathic activations through attunement to the number matrices and their interactive synchronization codes. These are the roots of the cosmic “message units” that are always available for psychically informative purposes.” —Valum Votan.

FIRST TIME DIMENSION

COSMIC CREATION

Outer Time Dimension 1:

Upper left (V.1-7, H.1-7).
 Function: Cosmic Creation.
 Hyperplasma: Alpha-Alpha.
 Crown of Fourth-Dimensional
 Body of Destiny.
 Biopsychic plane.
 First Mental Sphere:
 Preconscious.
 Alpha-Alpha force field:
 Profound samadhi of
 Cosmic Creation.

⚡⚡

	V.1	V.2	V.3	V.4	V.5	V.6	V.7
H.1	7	8	9	10	11	12	13
H.2	6	19	20	21	22	23	24
H.3	5	18	29	30	31	32	33
H.4	4	17	28	37	38	39	40
H.5	3	16	27	36	43	44	45
H.6	2	15	26	35	42	47	48
H.7	1	14	25	34	41	46	49
	47	122	189	248	299	342	377
	Circuit 1	Circuit 2	Circuit 3	Circuit 4	Circuit 5	Circuit 6	Circuit 7

	V.1	V.2	V.3	V.4	V.5	V.6	V.7
H.1	7	-8	-9	-10	-11	-12	-13
H.2	+6	7	-8	-9	-10	-11	-11
H.3	+5	+6	13	13	13	-12	-10
H.4	+4	+5	13	13	13	-13	-9
H.5	+3	+4	13	13	13	ESP IN	-8
H.6	+2	+3	+2	+1	ESP OUT	⚡⚡	-7
H.7	+1	+1	+2	+3	+4	+5	6

CIRCUIT 1—MERCURY (13 UNITS)

1. V. 1, H. 7. BMU 47. (+1) First magnitude activates Magnetic Attraction of external time flow of Cosmic Creation.
2. V. 1, H. 6. BMU 46. (+2) Second magnitude activates Lunar Stabilization of external time flow of Cosmic Creation.
3. V. 1, H. 5. BMU 45. (+3) Third magnitude activates Electric Bonding of external time flow of Cosmic Creation.
4. V. 1, H. 4. BMU 44. (+4) Fourth magnitude activates Self-Existing Form of external time flow of Cosmic Creation.
5. V. 1, H. 3. BMU 43. (+5) Fifth magnitude activates Overtone Radiance of external time flow of Cosmic Creation.
6. V. 1, H. 2. BMU 42. (+6) Sixth magnitude activates Rhythmic Equality of external time flow of Cosmic Creation.
7. V. 1, H. 1. BMU 41. (7) Seventh magnitude neutralizes Resonant Attunement of external time flow of Cosmic Creation. Connects activating and sublimating flows of external time of Cosmic Creation. First gate of third diagonal of unity.
8. V. 2, H. 1. BMU 40. (-8) Eighth magnitude sublimates Galactic Integrity of external time flow of Cosmic Creation.
9. V. 3, H. 1. BMU 39. (-9) Ninth magnitude sublimates Solar Intention of external time flow of Cosmic Creation.

10. V. 4, H. 1. BMU 38. (-10) Tenth magnitude sublimates Planetary Manifestation of external time flow of Cosmic Creation.
11. V. 5, H. 1. BMU 37. (-11) Eleventh magnitude sublimates Spectral Liberation of external time flow of Cosmic Creation. Corresponds to 11 horizontal and 11 vertical that coordinate the HMP matrix.
12. V. 6, H. 1. BMU 36. (-12) Twelfth magnitude sublimates Crystal Cooperation of external time flow of Cosmic Creation.
13. V. 7, H. 1. BMU 35. (-13) Thirteenth magnitude sublimates Cosmic Presence of external time flow of Cosmic Creation.

CIRCUIT 2—VENUS (11 UNITS)

14. V. 2, H. 7. BMU 122. (+1) First magnitude of 6th-dimensional ESP circuit activates subliminal communication in Alpha-Alpha force field of profound samadhi. Profound samadhi activates first mental sphere: preconscious.
15. V. 2, H. 6. BMU 121. (+3) Third magnitude of fifth force superconscious coordinating circuit of Alpha-Alpha channel. Activate and transfer internal 5D time signals of electric service to radial sense core of Cosmic Creation.
16. V. 2, H. 5. BMU 120. (+4) Fourth magnitude of fifth force superconscious coordinating circuit of Alpha-Alpha channel. Activate and transfer internal 5D time signals of self-existing form to radial sense core of Cosmic Creation.
17. V. 2, H. 4. BMU 119. (+5) Fifth magnitude of fifth force superconscious coordinating circuit of Alpha-Alpha channel. Activate and transfer internal 5D time signals of overtone radiance to radial sense core of Cosmic Creation.
18. V. 2, H. 3. BMU 118. (+6) Sixth magnitude of fifth force superconscious coordinating circuit of Alpha-Alpha channel. Activate and transfer internal 5D time signals of rhythmic equality to radial sense core of Cosmic Creation.
19. V. 2, H. 2. BMU 117. (7) Seventh magnitude of fifth force superconscious coordinating circuit of Alpha-Alpha channel. Internal resonator attuning and neutralizing 5D time signals to radial sense core of Cosmic Creation. Second gate of third diagonal of unity.
20. V. 3, H. 2. BMU 116. (-8) Eighth magnitude of fifth force superconscious coordinating circuit of Alpha-Alpha channel. Sublimate and transfer internal 5D time signals of galactic integrity to radial sense core of Cosmic Creation.
21. V. 4, H. 2. BMU 115. (-9) Ninth magnitude of fifth force superconscious coordinating circuit of Alpha-Alpha channel. Sublimate and transfer internal 5D time signals of solar intention to radial sense core of Cosmic Creation.

22. V. 5, H. 2. BMU 114. (-10) Tenth magnitude of fifth force superconscious coordinating circuit of Alpha-Alpha channel. Sublimate and transfer internal 5D time signals of planetary manifestation to radial sense core of Cosmic Creation.
23. V. 6, H. 2. BMU 113. (-11) Eleventh magnitude of fifth force superconscious coordinating circuit of Alpha-Alpha channel. Sublimate and transfer internal 5D time signals of spectral liberation to radial sense core of Cosmic Creation.
24. V. 7, H. 2. BMU 112. (-11) Eleventh magnitude of 6th-dimensional ESP circuit sublimates subliminal communication in Alpha-Alpha force field of profound samadhi. Profound samadhi sublimates first mental sphere: preconscious.

CIRCUIT 3—EARTH (9 UNITS)

25. V. 3, H. 7. BMU 189. (+2) Second magnitude of 6th-dimensional ESP circuit activates subliminal communication in Alpha-Alpha force field of profound samadhi. Profound samadhi activates first mental sphere: preconscious.
26. V. 3, H. 6. BMU 188. (+2) Second magnitude of fifth force superconscious coordinating circuit of Alpha-Alpha channel. Activate and transfer internal 5D time signals of lunar stabilization to radial sense core of Cosmic Creation.
27. V. 3, H. 5. BMU 187. Fifth force sense core matrix. “Touch of Cosmic Creation” organizes and coordinates the entire psychophysical spectrum of tactile consciousness (internal, external and etheric) in the Alpha-Alpha channel.
28. V. 3, H. 4. BMU 186. Fifth force sense core matrix. “Taste of Cosmic Creation” organizes and coordinates the entire psychophysical spectrum of gustatory consciousness (internal, external and etheric) in the Alpha-Alpha channel.
29. V. 3, H. 3. BMU 185. Fifth force sense core matrix. “Smell of Cosmic Creation” organizes and coordinates the entire psychophysical spectrum of olfactory consciousness (internal, external and etheric) in the Alpha-Alpha channel. Third gate of third diagonal of unity.
30. V. 4, H. 3. BMU 184. Fifth force sense core matrix. “Sound of Cosmic Creation” organizes and coordinates the entire psychophysical spectrum of auditory consciousness (internal, external and etheric) in the Alpha-Alpha channel.
31. V. 5, H. 3. BMU 183. Fifth force sense core matrix. “Vision of Cosmic Creation” organizes and coordinates the entire psychophysical spectrum of visual consciousness (internal, external and etheric) in the Alpha-Alpha channel.
32. V. 6, H. 3. BMU 182. (-12) Twelfth magnitude of fifth force superconscious coordinating circuit of Alpha-Alpha channel. Sublimate and transfer internal 5D time signals of Crystal Cooperation to radial sense core of Cosmic Creation.

33. V. 7, H. 3. BMU 181. (-10) Tenth magnitude of 6th-dimensional ESP circuit sublimates subliminal communication in Alpha-Alpha force field of profound samadhi. Profound samadhi sublimates first mental sphere: preconscious.

CIRCUIT 4—MARS (7 UNITS)

34. V. 4, H. 7. BMU 248. (+3) Third magnitude of 6th-dimensional ESP circuit activates subliminal communication in Alpha-Alpha force field of profound samadhi. Profound samadhi activates first mental sphere: preconscious.
35. V. 4, H. 6. BMU 247. (+1) First magnitude of fifth force superconscious coordinating circuit of Alpha-Alpha channel. Activate and transfer internal 5D time signals of magnetic purpose to radial sense core of Cosmic Creation.
36. V. 4, H. 5. BMU 246. Psi Output unit (also known as fifth force psychosensory information unit). Transmit psi energy (mental sensory information) in the Alpha-Alpha intergalactic core channel of Cosmic Creation: force field of profound samadhi. Psychic energy released from interaction of consciousness with mental sensory information.
37. V. 4, H. 4. BMU 245. Interdimensional Master Unit of the Cosmic Creation radial sense matrix. Central coordinating unit of the 5 external sense nodes of Cosmic Creation, including all internal and etheric body sensory information. (13) coordinates the first time dimension of Cosmic Creation. Fourth gate of third diagonal of unity.
38. V. 5, H. 4. BMU 244. Psi Input unit (also known as fifth force psychosensory information unit). Receive psi energy (mental sensory information) in the Alpha-Alpha intergalactic core channel of Cosmic Creation: force field of profound samadhi.
39. V. 6, H. 4. BMU 243. (-13) Thirteenth magnitude of fifth force superconscious coordinating circuit of Alpha-Alpha channel. Sublimate and transfer internal 5D time signals of cosmic presence to radial sense core of Cosmic Creation.
40. V. 7, H. 4. BMU 242. (-9) Ninth magnitude of 6th-dimensional ESP circuit sublimates subliminal communication in Alpha-Alpha force field of profound samadhi. Profound samadhi sublimates first mental sphere: preconscious.

CIRCUIT 5—MALDEK (5 UNITS)

41. V. 5, H. 7. BMU 299. (+4) Fourth magnitude of 6th-dimensional ESP circuit activates subliminal communication in Alpha-Alpha force field of profound samadhi. Profound samadhi activates first mental sphere: preconscious.
42. V. 5, H. 6. BMU 298. ESP Output unit of Alpha-Alpha intergalactic core channel of Cosmic Creation: force field of profound samadhi. Connects Alpha-Alpha channel with subliminal impulses from the 6th-dimensional ESP flow. Informs the first magnitude of the fifth force coordinating circuit of Cosmic Creation.

43. V. 5, H. 5. BMU 297. 3D-4D/4D-3D phase alternator of Alpha-Alpha intergalactic core channel. Coordinates higher ESP functions with Psi information and plasmically activates the entire radial sense core of Cosmic Creation. Fifth gate of third diagonal of unity.
44. V. 6, H. 5. BMU 296. ESP Input unit of Alpha-Alpha intergalactic core channel of cosmic creation: force field of profound samadhi. Connects Alpha-Alpha channel with subliminal impulses from the 6th-dimensional ESP flow. Informed by the thirteenth magnitude of the fifth force coordinating circuit of Cosmic Creation.
45. V. 7, H. 5. BMU 295. (-8) Eighth magnitude of 6th-dimensional ESP circuit sublimates subliminal communication in Alpha-Alpha force field of profound samadhi. Profound samadhi sublimates first mental sphere: preconscious.

CIRCUIT 6—JUPITER (3 UNITS)

46. V. 6, H. 7. BMU 342. (+5) Fifth magnitude of 6th-dimensional ESP circuit activates subliminal communication in Alpha-Alpha force field of profound samadhi. Profound samadhi activates first mental sphere: preconscious.
47. V. 6, H. 6. BMU 341. Intergalactic hyperplasma Alpha-Alpha core channel activates codes of Cosmic Creation. Alpha-Alpha core channel coordinates with ESP Input and ESP Output units to create an active flow. Subliminal and sensory information are received (input), then processed in psi fields before being transmitted (output). The Alpha-Alpha core channel governs the force field of profound samadhi and coordinates the flow and the activation of the first mental sphere: preconscious. Sixth gate of third diagonal of unity.
48. V. 7, H. 6. BMU 340. (-7) Seventh magnitude of 6th-dimensional ESP circuit sublimates subliminal communication in Alpha-Alpha force field of profound samadhi. Profound samadhi sublimates first mental sphere: preconscious.

CIRCUIT 7—SATURN (1 UNIT)

49. V. 7, H. 7. BMU 377. (6) Sixth magnitude of 6th-dimensional ESP circuit neutralizes subliminal communication in Alpha-Alpha force field of profound samadhi. Profound samadhi neutralizes first mental sphere: preconscious. Sixth magnitude holds inner coordinates of 6th-dimensional outer time ESP network of Alpha-Alpha channel. Seventh gate of third diagonal of unity.

SECOND TIME DIMENSION

COSMIC ASCENSION

Outer Time Dimension 2:

Upper right
(V.15-21, H.1-7).

Function: Cosmic Ascension.

Hyperplasma: Beta-Alpha.

Crown of Third-Dimensional
Body of Temple.

Biopsychic plane.

Fourth Mental Sphere:

Continuing Conscious.

Beta-Alpha force field: Higher
mind control of Cosmic
Ascension.

Pleiades force field.

	V.15	V.16	V.17	V.18	V.19	V.20	V.21
H.1	1	2	3	4	5	6	7
H.2	14	15	16	17	18	19	8
H.3	25	26	27	28	29	20	9
H.4	34	35	36	37	30	21	10
H.5	41	42	43	38	31	22	11
H.6	46	47	44	39	32	23	12
H.7	49	48	45	40	33	24	13
	369	330	283	228	165	94	15
	Circuit 7	Circuit 2	Circuit 5	Circuit 4	Circuit 3	Circuit 2	Circuit 1

	V.15	V.16	V.17	V.18	V.19	V.20	V.21
H.1	+1	+2	+3	+4	+5	+6	7
H.2	+1	+3	+4	+5	+6	7	-8
H.3	+2	+2	TOUCH	TASTE	SMELL	-8	-9
H.4	+3	+1	PSI OUT	26	ONTO	-9	-10
H.5	+4	ESP OUT	3D 4D	PSI IN	NOBIA	-10	-11
H.6	+5	ESP IN	-13	-12	-11	-12	-13
H.7	6	-7	-8	-9	-10	-11	-13

CIRCUIT 1—MERCURY (13 UNITS)

1. V. 15, H. 1. BMU 27. (+1) First magnitude activates Magnetic Attraction of external time flow of Cosmic Ascension.
2. V. 16, H. 1. BMU 26. (+2) Second magnitude activates Lunar Stabilization of external time flow of Cosmic Ascension.
3. V. 17, H. 1. BMU 25. (+3) Third magnitude activates Electric Bonding of external time flow of Cosmic Ascension.
4. V. 18, H. 1. BMU 24. (+4) Fourth magnitude activates Self-Existing Form of external time flow of Cosmic Ascension.
5. V. 19, H. 1. BMU 23. (+5) Fifth magnitude activates Overtone Radiance of external time flow of Cosmic Ascension.
6. V. 20, H. 1. BMU 22. (+6) Sixth magnitude activates Rhythmic Equality of external time flow of Cosmic Ascension.
7. V. 21, H. 1. BMU 21. (7) Seventh magnitude neutralizes Resonant Attunement of external time flow of Cosmic Ascension. Connects activating and sublimating flows of external time of Cosmic Ascension. First gate of second diagonal of unity.
8. V. 21, H. 2. BMU 20. (-8) Eighth magnitude sublimates Galactic Integrity of external time flow of Cosmic Ascension.

9. V. 21, H. 3. BMU 19. (-9) Ninth magnitude sublimates Solar Intention of external time flow of Cosmic Ascension.
10. V. 21, H. 4. BMU 18. (-10) Tenth magnitude sublimates Planetary Manifestation of external time flow of Cosmic Ascension.
11. V. 21, H. 5. BMU 17. (-11) Eleventh magnitude sublimates Spectral Liberation of external time flow of Cosmic Ascension. Corresponds to 11 horizontal and 11 vertical that coordinate the HMP matrix.
12. V. 21, H. 6. BMU 16. (-12) Twelfth magnitude sublimates Crystal Cooperation of external time flow of Cosmic Ascension.
13. V. 21, H. 7. BMU 15. (-13) Thirteenth magnitude sublimates Cosmic Presence of external time flow of Cosmic Ascension.

CIRCUIT 2—VENUS (11 UNITS)

14. V. 15, H. 2. BMU 104. (+1) First magnitude of 6th-dimensional ESP circuit activates subliminal communication in Beta-Alpha force field of higher mind control. Higher mind control activates fourth mental sphere: continuing consciousness.
15. V. 16, H. 2. BMU 103. (+3) Third magnitude of fifth force superconscious coordinating circuit of Beta-Alpha channel. Activate and transfer internal 5D time signals of electric service to radial sense core of Cosmic Ascension.
16. V. 17, H. 2. BMU 102. (+4) Fourth magnitude of fifth force superconscious coordinating circuit of Beta-Alpha channel. Activate and transfer internal 5D time signals of self-existing form to radial sense core of Cosmic Ascension.
17. V. 18, H. 2. BMU 101. (+5) Fifth magnitude of fifth force superconscious coordinating circuit of Beta-Alpha channel. Activate and transfer internal 5D time signals of overtone radiance to radial sense core of Cosmic Ascension.
18. V. 19, H. 2. BMU 100. (+6) Sixth magnitude of fifth force superconscious coordinating circuit of Beta-Alpha channel. Activate and transfer internal 5D time signals of rhythmic equality to radial sense core of Cosmic Ascension.
19. V. 20, H. 2. BMU 99. (7) Seventh magnitude of fifth force superconscious coordinating circuit of Beta-Alpha channel. Internal resonator attuning and neutralizing 5D time signals to radial sense core of Cosmic Ascension. Second gate of second diagonal of unity.
20. V. 20, H. 3. BMU 98. (-8) Eighth magnitude of fifth force superconscious coordinating circuit of Beta-Alpha channel. Sublimate and transfer internal 5D time signals of galactic integrity to radial sense core of Cosmic Ascension.

21. V. 20, H. 4. BMU 97. (-9) Ninth magnitude of fifth force superconscious coordinating circuit of Beta-Alpha channel. Sublimate and transfer internal 5D time signals of solar intention to radial sense core of Cosmic Ascension.
22. V. 20, H. 5. BMU 96. (-10) Tenth magnitude of fifth force superconscious coordinating circuit of Beta-Alpha channel. Sublimate and transfer internal 5D time signals of planetary manifestation to radial sense core of Cosmic Ascension.
23. V. 20, H. 6. BMU 95. (-11) Eleventh magnitude of fifth force superconscious coordinating circuit of Beta-Alpha channel. Sublimate and transfer internal 5D time signals of spectral liberation to radial sense core of Cosmic Ascension.
24. V. 20, H. 7. BMU 94. (-11) Eleventh magnitude of 6th-dimensional ESP circuit sublimates subliminal communication in Beta-Alpha force field of higher mind control. Higher mind control sublimates fourth mental sphere: continuing consciousness.

CIRCUIT 3—EARTH (9 UNITS)

25. V. 15, H. 3. BMU 173. (+2) Second magnitude of 6th-dimensional ESP circuit activates subliminal communication in Beta-Alpha force field of higher mind control. Higher mind control activates fourth mental sphere: continuing consciousness.
26. V. 16, H. 3. BMU 172. (+2) Second magnitude of fifth force superconscious coordinating circuit of Beta-Alpha channel. Activate and transfer internal 5D time signal of lunar stabilization to radial sense core of Cosmic Ascension.
27. V. 17, H. 3. BMU 171. Fifth force sense core matrix. “Touch of Cosmic Ascension” organizes and coordinates the entire psychophysical spectrum of tactile consciousness (internal, external and etheric) in the Beta-Alpha channel.
28. V. 18, H. 3. BMU 170. Fifth force sense core matrix. “Taste of Cosmic Ascension” organizes and coordinates the entire psychophysical spectrum of gustatory consciousness (internal, external and etheric) in the Beta-Alpha channel.
29. V. 19, H. 3. BMU 169. Fifth force sense core matrix. “Smell of Cosmic Ascension” organizes and coordinates the entire psychophysical spectrum of olfactory consciousness (internal, external and etheric) in the Beta-Alpha channel. Third gate of second diagonal of unity.
30. V. 19, H. 4. BMU 168. Fifth force sense core matrix. “Sound of Cosmic Ascension” organizes and coordinates the entire psychophysical spectrum of auditory consciousness (internal, external and etheric) in the Beta-Alpha channel.
31. V. 19, H. 5. BMU 167. Fifth force sense core matrix. “Vision of Cosmic Ascension” organizes and coordinates the entire psychophysical spectrum of visual consciousness (internal, external and etheric) in the Beta-Alpha channel.

32. V. 19, H. 6. BMU 166. (-12) Twelfth magnitude of fifth force superconscious coordinating circuit of Beta-Alpha channel. Sublimate and transfer internal 5D time signals of crystal cooperation to radial sense core of Cosmic Ascension.
33. V. 19, H. 7. BMU 165. (-10) Tenth magnitude of 6th-dimensional ESP circuit sublimates subliminal communication in Beta-Alpha force field of higher mind control. Higher mind control sublimates fourth mental sphere: continuing consciousness.

CIRCUIT 4—MARS (7 UNITS)

34. V. 15, H. 4. BMU 234. (+3) Third magnitude of 6th-dimensional ESP circuit activates subliminal communication in the fourth mental sphere: continuing conscious, force field of higher mind control.
35. V. 16, H. 4. BMU 233. (+1) First magnitude of fifth force superconscious coordinating circuit of Beta-Alpha channel. Activate and transfer internal 5D time signal of magnetic purpose to radial sense core of Cosmic Ascension.
36. V. 17, H. 4. BMU 232. Psi Output unit (also known as fifth force psychosensory information unit). Transmit psi energy (mental sensory information) in the Beta-Alpha intergalactic core channel of Cosmic Ascension: force field of higher mind control. Psychic energy released from interaction of consciousness with mental sensory information.
37. V. 18, H. 4. BMU 231. Interdimensional Master Unit of the Cosmic Ascension radial sense matrix. Central coordinating unit of the 5 external sense nodes of Cosmic Ascension, including all internal and etheric body sensory information. (26) coordinates the second time dimension of Cosmic Ascension. Fourth gate of second diagonal of unity.
38. V. 18, H. 5. BMU 230. Psi Input unit (also known as fifth force psychosensory information unit). Receive psi energy (mental sensory information) in Beta-Alpha intergalactic core channel of Cosmic Ascension: force field of higher mind control.
39. V. 18, H. 6. BMU 229. (-13) Thirteenth magnitude of fifth force superconscious coordinating circuit of Beta-Alpha channel. Sublimate and transfer internal 5D time signal of cosmic presence to radial sense core of Cosmic Ascension.
40. V. 18, H. 7. BMU 228. (-9) Ninth magnitude of 6th-dimensional ESP circuit sublimates subliminal communication in Beta-Alpha force field of higher mind control. Higher mind control sublimates fourth mental sphere: continuing consciousness.

CIRCUIT 5—MALDEK (5 UNITS)

41. V. 15, H. 5. BMU 287. (+4) Fourth magnitude of 6th-dimensional ESP circuit activates subliminal communication in Beta-Alpha force field of higher mind control. Higher mind control activates fourth mental sphere: continuing consciousness.

42. V. 16, H. 5. BMU 286. ESP Output unit of Beta-Alpha intergalactic core channel of Cosmic Ascension: force field of higher mind control. Connects Beta-Alpha channel with subliminal impulses from the 6th-dimensional ESP flow. Informs the first magnitude of the fifth force coordinating circuit of Cosmic Ascension.
43. V. 17, H. 5. BMU 285. 3D-4D/4D-3D phase alternator of Beta-Alpha intergalactic core channel. Coordinates higher ESP functions with Psi information and plasmically activates the entire radial sense core of Cosmic Ascension. Fifth gate of second diagonal of unity.
44. V. 17, H. 6. BMU 284. ESP Input unit of Beta-Alpha intergalactic core channel of Cosmic Ascension: force field of higher mind control. Connects Beta-Alpha channel with subliminal impulses from the 6th-dimensional ESP flow. Informed by the thirteenth magnitude of the fifth force coordinating circuit of Cosmic Ascension.
45. V. 17, H. 7. BMU 283. (-8) Eighth magnitude of 6th-dimensional ESP circuit sublimates subliminal communication in Beta-Alpha force field of higher mind control. Higher mind control sublimates fourth mental sphere: continuing consciousness.

CIRCUIT 6—JUPITER (3 UNITS)

46. V. 15, H. 6. BMU 332. (+5) Fifth magnitude of 6th-dimensional ESP circuit activates subliminal communication in Beta-Alpha force field of higher mind control. Higher mind control activates fourth mental sphere: continuing consciousness.
47. V. 16, H. 6. BMU 331. Intergalactic hyperplasma Beta-Alpha core channel activates codes of Cosmic Ascension. Beta-Alpha core channel coordinates with ESP Input and ESP Output units to create an active flow. Subliminal and sensory information are received (input), then processed in psi fields before being transmitted (output). The Beta-Alpha core channel governs the force field of higher mind control and coordinates the flow and activation of the fourth mental sphere: continuing conscious. Sixth gate of second diagonal of unity.
48. V. 16, H. 7. BMU 330. (-7) Seventh magnitude of 6th-dimensional ESP circuit sublimates subliminal communication in Beta-Alpha force field of higher mind control. Higher mind control sublimates fourth mental sphere: continuing consciousness.

CIRCUIT 7—SATURN (1 UNIT)

49. V. 15, H. 7. BMU 369. (6) Sixth magnitude of 6th-dimensional ESP circuit neutralizes subliminal communication in Beta-Alpha hyperplasma, force field of higher mind control. Higher mind control neutralizes fourth mental sphere: continuing consciousness. Sixth magnitude holds inner coordinates of 6th-dimensional outer time ESP network of Beta-Alpha channel. Seventh gate of second diagonal of unity.

THIRD TIME DIMENSION

COSMIC SYNCHRONIZATION

Outer Time Dimension 3:

Lower left
(V.1-7, H.15-21).

Function: Cosmic Synchronization.
Hyperplasma: Alpha-Beta.
Root of Fourth-Dimensional Body of Destiny.
Gravitational plane.
Second Mental Sphere: Sub- or Unconscious.
Alpha-Beta force field:
Informative samadhi of Cosmic Synchronization.

	Circuit 1 V.1	Circuit 2 V.2	Circuit 3 V.3	Circuit 4 V.4	Circuit 5 V.5	Circuit 6 V.6	Circuit 7 V.7
H.15	1 55	14 130	25 197	34 256	41 307	46 350	49 385
H.16	2 56	15 131	26 198	35 257	42 308	47 351	48 352
H.17	3 57	16 132	27 199	36 258	43 309	44 310	45 311
H.18	4 58	17 133	28 200	37 259	38 260	39 261	40 262
H.19	5 59	18 134	29 201	30 202	31 203	32 204	33 205
H.20	6 60	19 135	20 136	21 137	22 138	23 139	24 140
H.21	7 61	8 62	9 63	10 64	11 65	12 66	13 67

	V.1	V.2	V.3	V.4	V.5	V.6	V.7
H.15	-1	-1	-2	-3	-4	-5	6
H.16	-2	-3	-2	-1	ESP OUT	VA	+7
H.17	-3	-4	PSI OUT	4D	ESP IN		+8
H.18	-4	-5	39	PSI IN	+13		+9
H.19	-5	-6	SMELL	SOUND	VISION	+12	+10
H.20	-6	7	+8	+9	+10	+11	+11
H.21	7	+8	+9	+10	+11	+12	+13

CIRCUIT 1—MERCURY (13 UNITS)

1. V. 1, H. 15. BMU 55. (-1) First magnitude sublimates Magnetic Attraction of external time flow of Cosmic Synchronization.
2. V. 1, H. 16. BMU 56. (-2) Second magnitude sublimates Lunar Stabilization of external time flow of Cosmic Synchronization.
3. V. 1, H. 17. BMU 57. (-3) Third magnitude sublimates Electric Bonding of external time flow of Cosmic Synchronization.
4. V. 1, H. 18. BMU 58. (-4) Fourth magnitude sublimates Self-Existing Form of external time flow of Cosmic Synchronization.
5. V. 1, H. 19. BMU 59. (-5) Fifth magnitude sublimates Overtone Radiance of external time flow of Cosmic Synchronization.
6. V. 1, H. 20. BMU 60. (-6) Sixth magnitude sublimates Rhythmic Equality of external time flow of Cosmic Synchronization.
7. V. 1, H. 21. BMU 61. (7) Seventh magnitude neutralizes Resonant Attunement of external time flow of Cosmic Synchronization. Connects activating and sublimating flows of external time of Cosmic Synchronization. First gate of the fourth diagonal of unity.
8. V. 2, H. 21. BMU 62. (+8) Eighth magnitude activates Galactic Integrity of external time flow of Cosmic Synchronization.

9. V. 3, H. 21. BMU 63. (+9) Ninth magnitude activates Solar Intention of external time flow of Cosmic Synchronization.
10. V. 4, H. 21. BMU 64. (+10) Tenth magnitude activates Planetary Manifestation of external time flow of Cosmic Synchronization.
11. V. 5, H. 21. BMU 65. (+11) Eleventh magnitude activates Spectral Liberation of external time flow of Cosmic Synchronization. Corresponds to 11 horizontal and 11 vertical that coordinate the HMP matrix.
12. V. 6, H. 21. BMU 66. (+12) Twelfth magnitude sublimates Crystal Cooperation of external time flow of Cosmic Synchronization.
13. V. 7, H. 21. BMU 67. (+13) Thirteenth magnitude activates Cosmic Presence of external time flow of Cosmic Synchronization.

CIRCUIT 2—VENUS (11 UNITS)

14. V. 2, H. 15. BMU 130. (-1) First magnitude of 6th-dimensional ESP circuit sublimates subliminal communication in Alpha-Beta force field of informative samadhi. Informative samadhi sublimates second mental sphere: subconscious.
15. V. 2, H. 16. BMU 131. (-3) Third magnitude of fifth force superconscious coordinating circuit of Alpha-Beta channel. Sublimate and transfer internal 5D time signals of electric service to radial sense core of Cosmic Synchronization.
16. V. 2, H. 17. BMU 132. (-4) Fourth magnitude of fifth force superconscious coordinating circuit of Alpha-Beta channel. Sublimate and transfer internal 5D time signals of self-existing form to radial sense core of Cosmic Synchronization.
17. V. 2, H. 18. BMU 133. (-5) Fifth magnitude of fifth force superconscious coordinating circuit of Alpha-Beta channel. Sublimate and transfer internal 5D time signals of overtone radiance to radial sense core of Cosmic Synchronization. Second gate of the fourth diagonal of unity.
18. V. 2, H. 19. BMU 134. (-6) Sixth magnitude of fifth force superconscious coordinating circuit of Alpha-Beta channel. Sublimate and transfer internal 5D time signals of rhythmic equality to radial sense core of Cosmic Synchronization.
19. V. 2, H. 20. BMU 135. (7) Seventh magnitude of fifth force superconscious coordinating circuit of Alpha-Beta channel. Internal resonator attuning and neutralizing 5D time signals to radial sense core of Cosmic Synchronization.
20. V. 3, H. 20. BMU 136. (+8) Eighth magnitude of fifth force superconscious coordinating circuit of Alpha-Beta channel. Activate and transfer internal 5D time signals of galactic integrity to radial sense core of Cosmic Synchronization.

21. V. 4, H. 20. BMU 137. (+9) Ninth magnitude of fifth force superconscious coordinating circuit of Alpha-Beta channel. Activate and transfer internal 5D time signals of solar intention to radial sense core of Cosmic Synchronization.
22. V. 5, H. 20. BMU 138. (+10) Tenth magnitude of fifth force superconscious coordinating circuit of Alpha-Beta channel. Activate and transfer internal 5D time signals of planetary manifestation to radial sense core of Cosmic Synchronization.
23. V. 6, H. 20. BMU 139. (+11) Eleventh magnitude of fifth force superconscious coordinating circuit of Alpha-Beta channel. Activate and transfer internal 5D time signals of spectral liberation to radial sense core of Cosmic Synchronization.
24. V. 7, H. 20. BMU 140. (+11) Eleventh magnitude of 6th-dimensional ESP circuit activates subliminal communication in Alpha-Beta force field of informative samadhi. Informative samadhi activates second mental sphere: subconscious.

CIRCUIT 3—EARTH (9 UNITS)

25. V. 3, H. 15. BMU 197. (-2) Second magnitude of 6th-dimensional ESP circuit sublimates subliminal communication in Alpha-Beta force field of informative samadhi. Informative samadhi sublimates second mental sphere: subconscious.
26. V. 3, H. 16. BMU 198. (-2) Second magnitude of fifth force superconscious coordinating circuit of Alpha-Beta channel. Sublimate and transfer internal 5D time signals of lunar stabilization to radial sense core of Cosmic Synchronization.
27. V. 3, H. 17. BMU 199. Fifth force sense core matrix. “Touch of Cosmic Synchronization” organizes and coordinates the entire psychophysical spectrum of tactile consciousness (internal, external and etheric) in the Alpha-Beta channel.
28. V. 3, H. 18. BMU 200. Fifth force sense core matrix. “Taste of Cosmic Synchronization” organizes and coordinates the entire psychophysical spectrum of gustatory consciousness (internal, external and etheric) in the Alpha-Beta channel.
29. V. 3, H. 19. BMU 201. Fifth force sense core matrix. “Smell of Cosmic Synchronization” organizes and coordinates the entire psychophysical spectrum of olfactory consciousness (internal, external and etheric) in the Alpha-Beta channel. Third gate of the fourth diagonal of unity.
30. V. 4, H. 19. BMU 202. Fifth force sense core matrix. “Sound of Cosmic Synchronization” organizes and coordinates the entire psychophysical spectrum of auditory consciousness (internal, external and etheric) in the Alpha-Beta channel.
31. V. 5, H. 19. BMU 203. Fifth force sense core matrix. “Vision of Cosmic Synchronization” organizes and coordinates the entire psychophysical spectrum of visual consciousness (internal, external and etheric) in the Alpha-Beta channel.

32. V. 6, H. 19. BMU 204. (+12) Twelfth magnitude of fifth force superconscious coordinating circuit of Alpha-Beta channel. Activate and transfer internal 5D time signals of crystal cooperation to radial sense core of Cosmic Synchronization.
33. V. 7, H. 19. BMU 205. (+10) Tenth magnitude of 6th-dimensional ESP circuit activates subliminal communication in Alpha-Beta force field of informative samadhi. Informative samadhi activates second mental sphere: subconscious.

CIRCUIT 4—MARS (7 UNITS)

34. V. 4, H. 15. BMU 256. (-3) Third magnitude of 6th-dimensional ESP circuit sublimates subliminal communication in Alpha-Beta force field of informative samadhi. Informative samadhi sublimates second mental sphere: subconscious.
35. V. 4, H. 16. BMU 257. (-1) First magnitude of fifth force superconscious coordinating circuit of Alpha-Beta channel. Sublimate and transfer internal 5D time signals of magnetic purpose to radial sense core of Cosmic Synchronization.
36. V. 4, H. 17. BMU 258. Psi Output unit (also known as fifth force psychosensory information unit). Transmit psi energy (mental sensory information) in the Alpha-Beta intergalactic core channel of Cosmic Synchronization: force field of informative samadhi. Psychic energy released from interaction of consciousness with mental sensory information
37. V. 4, H. 18. BMU 259. Interdimensional Master Unit of the Cosmic Synchronization radial sense matrix. Central coordinating unit of the 5 external sense nodes of Cosmic Synchronization, including all internal and etheric body sensory information. (39) coordinates the third time dimension of Cosmic Synchronization. Fourth gate of the fourth diagonal of unity.
38. V. 5, H. 18. BMU 260. Psi Input unit (also known as fifth force psychosensory information unit). Receive psi energy (mental sensory information) in the Alpha-Beta intergalactic core channel of Cosmic Synchronization: force field of informative samadhi.
39. V. 6, H. 18. BMU 261. (+13) Thirteenth magnitude of fifth force superconscious coordinating circuit of Alpha-Beta channel. Activate and transfer internal 5D time signals of cosmic presence to radial sense core of Cosmic Synchronization.
40. V. 7, H. 18. BMU 262. (+9) Ninth magnitude of 6th-dimensional ESP circuit activates subliminal communication in Alpha-Beta force field of informative samadhi. Informative samadhi activates second mental sphere: subconscious.

CIRCUIT 5—MALDEK (5 UNITS)

41. V. 5, H. 15. BMU 307. (-4) Fourth magnitude of 6th-dimensional ESP circuit sublimates subliminal communication in Alpha-Beta force field of informative samadhi. Informative samadhi sublimates second mental sphere: subconscious.

42. V. 5, H. 16. BMU 308. ESP Output unit of Alpha-Beta intergalactic core channel of Cosmic Synchronization: force field of informative samadhi. Connects Alpha-Beta channel with subliminal impulses from the 6th-dimensional ESP flow. Informs the first magnitude of the fifth force coordinating circuit of Cosmic Synchronization.
43. V. 5, H. 17. BMU 309. 3D-4D/4D-3D phase alternator of Alpha-Beta intergalactic core channel. Coordinates higher ESP functions with Psi information and plasmically activates the entire radial sense core of Cosmic Synchronization. Fifth gate of the fourth diagonal of unity.
44. V. 6, H. 17. BMU 310. ESP Input unit of Alpha-Beta intergalactic core channel of Cosmic Synchronization: force field of informative samadhi. Connects Alpha-Beta channel with subliminal impulses the 6th-dimensional ESP flow. Informed by the thirteenth magnitude of the fifth force coordinating circuit of Cosmic Synchronization.
45. V. 7, H. 17. BMU 311. (+8) Eighth magnitude of 6th-dimensional ESP circuit activates subliminal communication in Alpha-Beta force field of informative samadhi. Informative samadhi activates second mental sphere: subconscious.

CIRCUIT 6—JUPITER (3 UNITS)

46. V. 6, H. 15. BMU 350. (-5) Fifth magnitude of 6th-dimensional ESP circuit sublimates subliminal communication in Alpha-Beta force field of informative samadhi. Informative samadhi sublimates second mental sphere: subconscious.
47. V. 6, H. 16. BMU 351. Intergalactic hyperplasma Alpha-Beta core channel activates codes of Cosmic Synchronization. Alpha-Beta core channel coordinates with ESP Input and ESP Output units to create an active flow. Subliminal and sensory information are received (input), then processed in psi fields before being transmitted (output). The Alpha-Beta core channel governs the force field of informative samadhi and coordinates the flow and the activation of the second mental sphere: subconscious. Sixth gate of the fourth diagonal of unity.
48. V. 7, H. 16. BMU 352. (+7) Seventh magnitude of 6th-dimensional ESP circuit activates subliminal communication in Alpha-Beta force field of informative samadhi. Informative samadhi activates second mental sphere: subconscious.

CIRCUIT 7—SATURN (1 UNIT)

49. V. 7, H. 15. BMU 385. (6) Sixth magnitude of 6th-dimensional ESP circuit neutralizes subliminal communication in Alpha-Beta force field of informative samadhi. Informative samadhi neutralizes second mental sphere: subconscious. Sixth magnitude holds inner coordinates of 6th-dimensional outer time ESP network of Alpha-Beta channel. Seventh gate of the fourth diagonal of unity.

FOURTH TIME DIMENSION COSMIC CUBE

Outer Time Dimension 4:

Lower right
(V.15-21, H.15-21)

Function: Cosmic Cube.
Hyperplasma: Beta-Beta.
Root of Third-Dimensional
Body of Temple.
Gravitational plane.
Third Mental Sphere:
Conscious.
Beta-Beta force field: Waking
conscious mediumship of
Cosmic Cube.
Sirius force field.

	Circuit 7	Circuit 6	Circuit 5	Circuit 4	Circuit 3	Circuit 2	Circuit 1
	V.15	V.16	V.17	V.18	V.19	V.20	V.21
H.15	49	48	45	40	33	24	13
	361	322	275	220	157	86	7
H.16	46	47	44	39	32	23	12
	360	321	274	219	156	85	6
H.17	41	42	43	38	31	22	11
	319	320	273	218	155	84	5
H.18	34	35	36	37	30	21	10
	270	271	272	217	154	83	4
H.19	25	26	27	28	29	20	9
	213	214	215	216	153	82	3
H.20	14	15	16	17	18	19	8
	148	149	150	151	152	81	2
H.21	1	2	3	4	5	6	7
	75	76	77	78	79	80	1

	V.15	V.16	V.17	V.18	V.19	V.20	V.21
H.15	6	+7	+8	+9	+10	+11	+13
H.16	-5			ESP IN +13	+12	+11	+12
H.17	-4	ESP OUT	4D/3D	PSI IN		+10	+11
H.18	-3	-1	PSI OUT	52		+9	+10
H.19	-2	-2	TOUCH	TASTE	SMELL SOUND VISION	+8	+9
H.20	-1	-3	-4	-5	-6	7	+8
H.21	-1	-2	-3	-4	-5	-6	7

CIRCUIT 1—MERCURY (13 UNITS)

1. V. 15, H. 21. BMU 75. (-1) First magnitude sublimes Magnetic Attraction of external time flow of Cosmic Cube.
2. V. 16, H. 21. BMU 76. (-2) Second magnitude sublimes Lunar Stabilization of external time flow of Cosmic Cube.
3. V. 17, H. 21. BMU 77. (-3) Third magnitude sublimes Electric Bonding of external time flow of Cosmic Cube.
4. V. 18, H. 21. BMU 78. (-4) Fourth magnitude sublimes Self-Existing Form of external time flow of Cosmic Cube.
5. V. 19, H. 21. BMU 79. (-5) Fifth magnitude sublimes Overtone Radiance of external time flow of Cosmic Cube.
6. V. 20, H. 21. BMU 80. (-6) Sixth magnitude sublimes Rhythmic Equality of external time flow of Cosmic Cube.
7. V. 21, H. 21. BMU 1. (7) Seventh magnitude neutralizes Resonant Attunement of external time flow of Cosmic Cube. Connects activating and sublimes flows of external time of Cosmic Cube. First gate of the first diagonal of unity.
8. V. 21, H. 20. BMU 2. (+8) Eighth magnitude activates Galactic Integrity of external time flow of Cosmic Cube.

9. V. 21, H. 19. BMU 3. (+9) Ninth magnitude activates Solar Intention of external time flow of Cosmic Cube.
10. V. 21, H. 18. BMU 4. (+10) Tenth magnitude activates Planetary Manifestation of external time flow of Cosmic Cube.
11. V. 21, H. 17. BMU 5. (+11) Eleventh magnitude activates Spectral Liberation of external time flow of Cosmic Cube. Corresponds to 11 horizontal and 11 vertical that coordinate the HMP matrix.
12. V. 21, H. 16. BMU 6. (+12) Twelfth magnitude sublimates Crystal Cooperation of external time flow of Cosmic Cube.
13. V. 21, H. 15. BMU 7. (+13) Thirteenth magnitude activates Cosmic Presence of external time flow of Cosmic Cube.

CIRCUIT 2—VENUS (11 UNITS)

14. V. 15, H. 20. BMU 148. (-1) First magnitude of 6th-dimensional ESP circuit sublimates subliminal communication in Beta-Beta force field of waking conscious mediumship. Waking conscious mediumship sublimates third mental sphere: conscious.
15. V. 16, H. 20. BMU 149. (-3) Third magnitude of fifth force superconscious coordinating circuit of Beta-Beta channel. Sublimate and transfer internal 5D time signals of electric service to radial sense core of Cosmic Cube.
16. V. 17, H. 20. BMU 150. (-4) Fourth magnitude of fifth force superconscious coordinating circuit of Beta-Beta channel. Sublimate and transfer internal 5D time signals of self-existing form to radial sense core of Cosmic Cube.
17. V. 18, H. 20. BMU 151. (-5) Fifth magnitude of fifth force superconscious coordinating circuit of Beta-Beta channel. Sublimate and transfer internal 5D time signals of overtone radiance to radial sense core of Cosmic Cube.
18. V. 19, H. 20. BMU 152. (-6) Sixth magnitude of fifth force superconscious coordinating circuit of Beta-Beta channel. Sublimate and transfer internal 5D time signals of rhythmic equality to radial sense core of Cosmic Cube.
19. V. 20, H. 20. BMU 81. (7) Seventh magnitude of fifth force superconscious coordinating circuit of Beta-Beta channel. Internal resonator attuning and neutralizing 5D time signals to radial sense core of Cosmic Cube. Second gate of the first diagonal of unity.
20. V. 20, H. 19. BMU 82. (+8) Eighth magnitude of fifth force superconscious coordinating circuit of Beta-Beta channel. Activate and transfer internal 5D time signals of galactic integrity to radial sense core of Cosmic Cube.

21. V. 20, H. 18. BMU 83. (+9) Ninth magnitude of fifth force superconscious coordinating circuit of Beta-Beta channel. Activate and transfer internal 5D time signals of solar intention to radial sense core of Cosmic Cube.
22. V. 20, H. 17. BMU 84. (+10) Tenth magnitude of fifth force superconscious coordinating circuit of Beta-Beta channel. Activate and transfer internal 5D time signals of planetary manifestation to radial sense core of Cosmic Cube.
23. V. 20, H. 16. BMU 85. (+11) Eleventh magnitude of fifth force superconscious coordinating circuit of Beta-Beta channel. Activate and transfer internal 5D time signals of spectral liberation to radial sense core of Cosmic Cube.
24. V. 20, H. 15. BMU 86. (+11) Eleventh magnitude of 6th-dimensional ESP circuit activates subliminal communication in Beta-Beta force field of waking conscious mediumship. Waking conscious mediumship activates third mental sphere: conscious.

CIRCUIT 3—EARTH (9 UNITS)

25. V. 15, H. 19. BMU 213. (-2) Second magnitude of 6th-dimensional ESP circuit sublimates subliminal communication in Beta-Beta force field of waking conscious mediumship. Waking conscious mediumship sublimates third mental sphere: conscious.
26. V. 16, H. 19. BMU 214. (-2) Second magnitude of fifth force superconscious coordinating circuit of Beta-Beta channel. Sublimate and transfer internal 5D time signals of lunar stabilization to radial sense core of Cosmic Cube.
27. V. 17, H. 19. BMU 215. Fifth force sense core matrix. “Touch of Cosmic Cube” organizes and coordinates the entire psychophysical spectrum of tactile consciousness (internal, external and etheric) in the Beta-Beta channel.
28. V. 18, H. 19. BMU 216. Fifth force sense core matrix. “Taste of Cosmic Cube” organizes and coordinates the entire psychophysical spectrum of gustatory consciousness (internal, external and etheric) in the Beta-Beta channel.
29. V. 19, H. 19. BMU 153. Fifth force sense core matrix. “Smell of Cosmic Cube” organizes and coordinates the entire psychophysical spectrum of olfactory consciousness (internal, external and etheric) in the Beta-Beta channel. Third gate of the first diagonal of unity.
30. V. 19, H. 18. BMU 154. Fifth force sense core matrix. “Sound of Cosmic Cube” organizes and coordinates the entire psychophysical spectrum of auditory consciousness (internal, external and etheric) in the Beta-Beta channel.
31. V. 19, H. 17. BMU 155. Fifth force sense core matrix. “Vision of Cosmic Cube” organizes and coordinates the entire psychophysical spectrum of visual consciousness (internal, external and etheric) in the Beta-Beta channel.

32. V. 19, H. 16. BMU 156. (+12) Twelfth magnitude of fifth force superconscious coordinating circuit of Beta-Beta channel. Activate and transfer internal 5D time signals of crystal cooperation to radial sense core of Cosmic Cube.
33. V. 19, H. 15. BMU 157. (+10) Tenth magnitude of 6th-dimensional ESP circuit activates subliminal communication in Beta-Beta force field of waking conscious mediumship. Waking conscious mediumship activates third mental sphere: conscious.

CIRCUIT 4—MARS (7 UNITS)

34. V. 15, H. 18. BMU 270. (-3) Third magnitude of 6th-dimensional ESP circuit sublimates subliminal communication in Beta-Beta force field of waking conscious mediumship. Waking conscious mediumship sublimates third mental sphere: conscious.
35. V. 16, H. 18. BMU 271. (-1) First magnitude of fifth force superconscious coordinating circuit of Beta-Beta channel. Sublimate and transfer internal 5D time signals of magnetic purpose to radial sense core of Cosmic Cube.
36. V. 17, H. 18. BMU 272. Psi Output unit (also known as fifth force psychosensory information unit). Transmit psi energy (mental sensory information) in the Beta-Beta intergalactic core channel of Cosmic Cube: force field of waking conscious mediumship. Psychic energy released from interaction of consciousness with mental sensory information
37. V. 18, H. 18. BMU 217. Interdimensional Master Unit of the Cosmic Cube radial sense matrix. Central coordinating unit of the 5 external sense nodes of Cosmic Cube, including all internal and etheric body sensory information. (52) coordinates the fourth time dimension of Cosmic Cube. Fourth gate of the first diagonal of unity.
38. V. 18, H. 17. BMU 218. Psi Input unit (also known as fifth force psychosensory information unit). Receive psi energy (mental sensory information) in the Beta-Beta intergalactic core channel of Cosmic Cube: force field of waking conscious mediumship.
39. V. 18, H. 16. BMU 219. (+13) Thirteenth magnitude of fifth force superconscious coordinating circuit of Beta-Beta channel. Activate and transfer internal 5D time signals of cosmic presence to radial sense core of Cosmic Cube.
40. V. 18, H. 15. BMU 220. (+9) Ninth magnitude of 6th-dimensional ESP circuit activates subliminal communication in Beta-Beta force field of waking conscious mediumship. Waking conscious mediumship activates third mental sphere: conscious.

CIRCUIT 5—MALDEK (5 UNITS)

41. V. 15, H. 17. BMU 319. (-4) Fourth magnitude of 6th-dimensional ESP circuit sublimates subliminal communication in Beta-Beta force field of waking conscious mediumship. Waking conscious mediumship sublimates third mental sphere: conscious.

42. V. 16, H. 17. BMU 320. ESP Output unit of Beta-Beta intergalactic core channel of Cosmic Cube: force field of waking conscious mediumship. Connects Beta-Beta channel with subliminal impulses from the 6th-dimensional ESP flow. Informs the first magnitude of the fifth force coordinating circuit of Cosmic Cube.
43. V. 17, H. 17. BMU 273. 3D-4D/4D-3D phase alternator of Beta-Beta intergalactic core channel. Coordinates higher ESP functions with Psi information and plasmically activates the entire radial sense core of Cosmic Cube. Fifth gate of the first diagonal of unity.
44. V. 17, H. 16. BMU 274. ESP Input unit of Beta-Beta intergalactic core channel of Cosmic Cube: force field of waking conscious mediumship. Connects Beta-Beta channel with subliminal impulses from the 6th-dimensional ESP flow. Informed by the thirteenth magnitude of the fifth force coordinating circuit of Cosmic Cube.
45. V. 17, H. 15. BMU 275. (+8) Eighth magnitude of 6th-dimensional ESP circuit activates subliminal communication in Beta-Beta force field of waking conscious mediumship. Waking conscious mediumship activates third mental sphere: conscious.

CIRCUIT 6—JUPITER (3 UNITS)

46. V. 15, H. 16. BMU 360. (-5) Fifth magnitude of 6th-dimensional ESP circuit sublimates subliminal communication in Beta-Beta force field of waking conscious mediumship. Waking conscious mediumship sublimates third mental sphere: conscious.
47. V. 16, H. 16. BMU 321. Intergalactic hyperplasma Beta-Beta core channel activates codes of Cosmic Cube. Beta-Beta core channel coordinates with ESP Input and ESP Output to create an active flow. Subliminal and sensory information are received (input), then processed in psi fields before being transmitted (output). The Beta-Beta core channel governs the force field of waking conscious mediumship and coordinates the flow and the activation of the third mental sphere: conscious. Sixth gate of the first diagonal of unity.
48. V. 16, H. 15. BMU 322. (+7) Seventh magnitude of 6th-dimensional ESP circuit activates subliminal communication in Beta-Beta force field of waking conscious mediumship. Waking conscious mediumship activates third mental sphere: conscious.

CIRCUIT 7—SATURN (1 UNIT)

49. V. 15, H. 15. BMU 361. (6) Sixth magnitude of 6th-dimensional ESP circuit neutralizes subliminal communication in Beta-Beta force field of waking conscious mediumship. Waking conscious mediumship neutralizes third mental sphere: conscious. Sixth magnitude holds inner coordinates of 6th-dimensional outer time ESP network of Beta-Beta channel. Seventh gate of the first diagonal of unity.

FIFTH TIME DIMENSION

RADIAL RIGHT HAND TIME

Radial Time Dimension 1:

Left middle
(V.1-7, H.8-14).

Connects 1st and 3rd outer
time dimensions: Cosmic
Creation and Cosmic
Synchronization.

Red Kuali Thermic Force
Field (inner positive
activating).

Heart of Fourth-Dimensional
Body of Destiny.
Electromagnetic plane.
Fifth Mental Sphere:

Superconscious/Paranormal Capacitor.

Force Field of Hyperelectronic Superconscious.

AA Midway Station Force Field.

	V.1	V.2	V.3	V.4	V.5	V.6	V.7
H.8	1	8	15	22	29	36	43
H.9	2	9	16	23	30	37	44
H.10	3	10	17	24	31	38	45
H.11	4	11	18	25	32	39	46
H.12	5	12	19	27	33	40	47
H.13	6	13	20	27	34	41	48
H.14	7	14	21	28	35	42	49
	Circuit 1	Circuit 2	Circuit 3	Circuit 4	Circuit 5	Circuit 6	Circuit 7

	V.1	V.2	V.3	V.4	V.5	V.6	V.7
H.8	+	+2	+3	+6	+7	+10	+11
H.9	-	-1	-4	-5	-8	-9	-12
H.10	-1	-2	-3	-4	-5	-6	-7
H.11	1	2	3	4	5	6	7
H.12	+1	+2	+3	+4	+5	+6	+7
H.13	+	+1	+4	+5	+8	+9	+12
H.14	-	-2	-3	-6	-7	-10	-11

CIRCUIT 1—MERCURY (7 UNITS)

1. V. 1, H. 8. BMU 48. $\forall\forall+$ Alpha-Alpha generator activates the hyperplasmic external space flow of Cosmic Creation (first time dimension). Red Kuali thermic superconscious force field activates force field of profound samadhi.
2. V. 1, H. 9. BMU 49. $\forall\forall-$ Alpha-Alpha generator sublimates the hyperplasmic external space flow of Cosmic Creation (first time dimension). Red Kuali thermic superconscious force field sublimates force field of profound samadhi.
3. V. 1, H. 10. BMU 50. (-1) First magnitude transformer-insulator unit of the red Kuali thermic force field sublimates 5th mental sphere: superconscious.
4. V. 1, H. 11. BMU 51. (1) First magnitude hypergravitational field organizer of the red Kuali thermic force field neutralizes 5th mental sphere: superconscious. Central energizing core (H.11 axis/equatorial). First gate of unity of right hand time.
5. V. 1, H. 12. BMU 52. (+1) First magnitude transformer-insulator unit of the red Kuali thermic force field activates 5th mental sphere: superconscious.
6. V. 1, H. 13. BMU 53. $\forall\forall+$ Alpha-Beta generator activates the hyperplasmic external space flow of Cosmic Synchronization (third time dimension). Red Kuali thermic superconscious force field activates force field of informative samadhi.

7. V. 1, H. 14. BMU 54. ~~V.1~~ Alpha-Beta generator sublimates the hyperplasmic external space flow of Cosmic Synchronization (third time dimension). Red Kuali thermic superconscious force field sublimates force field of informative samadhi.

CIRCUIT 2—VENUS (7 UNITS)

8. V. 2, H. 8. BMU 123. (+2) Second magnitude Alpha-Alpha hyperplasma activates external space flow of Cosmic Creation (in the 1st outer time dimension). Force field of profound samadhi (1D) activated by the red Kuali thermic force field-of superconscious paranormality (5D).
9. V. 2, H. 9. BMU 124. (-1) First magnitude Alpha-Alpha hyperplasma sublimates external space flow of Cosmic Creation (in the 1st outer time dimension). Force field of profound samadhi (1D) sublimated by the red Kuali thermic force field of superconscious paranormality (5D).
10. V. 2, H. 10. BMU 125. (-2) Second magnitude transformer-insulator unit of the red Kuali thermic force field sublimates 5th mental sphere: superconscious.
11. V. 2, H. 11. BMU 126. (2) Second magnitude hypergravitational field organizer of the red Kuali thermic force field neutralizes 5th mental sphere: superconscious. Central energizing core (H.11 axis/ equatorial). Second gate of unity of right hand time. Corresponds to the Dreamer (Night): third Light gate of Hunab Ku 21 (centrifugal extremity). Externalizing centrifugal process where electrical charges of hyperelectron and primal heat (Dum Kuali) combine to create superconscious force of Cosmic Love opening to the Court of the Compassionate One (BMU 303). Love is the centrifugal force of cosmic totality. Galactic-karmic Saturn.
12. V. 2, H. 12. BMU 127. (+2) Second magnitude transformer-insulator unit of the red Kuali thermic force field activates 5th mental sphere: superconscious.
13. V. 2, H. 13. BMU 128. (+1) First magnitude Alpha-Beta hyperplasma activates external space flow of Cosmic Synchronization (in the 3rd outer time dimension). Force field of informative samadhi (3D) activated by the red Kuali thermic force field of superconscious paranormality (5D).
14. V. 2, H. 14. BMU 129. (-2) Second magnitude Alpha-Beta hyperplasma sublimates external space flow of Cosmic Synchronization (in the 3rd outer time dimension). Force field of informative samadhi (3D) sublimated by the red Kuali thermic force field of superconscious paranormality (5D).

CIRCUIT 3—EARTH (7 UNITS)

15. V. 3, H. 8. BMU 190. (+3) Third magnitude Alpha-Alpha hyperplasma activates external space flow of Cosmic Creation (in the 1st outer time dimension). Force field of profound samadhi (1D) activated by the red Kuali thermic force field of superconscious paranormality (5D).
16. V. 3, H. 9. BMU 191. (-4) Fourth magnitude Alpha-Alpha hyperplasma sublimates external space flow of Cosmic Creation (in the 1st outer time dimension). Force field of profound samadhi (1D) sublimated by the red Kuali thermic force field of superconscious paranormality (5D).

17. V. 3, H. 10. BMU 192. (-3) Third magnitude transformer-insulator unit of the red Kuali thermic force field sublimates 5th mental sphere: superconscious.
18. V. 3, H. 11. BMU 193. (3) Third magnitude hypergravitational field organizer of the red Kuali thermic force field neutralizes 5th mental sphere: superconscious. Central energizing core (H.11 axis/equatorial). Third gate of unity of right hand time.
19. V. 3, H. 12. BMU 194. (+3) Third magnitude transformer-insulator unit of the red Kuali thermic force field activates 5th mental sphere: superconscious.
20. V. 3, H. 13. BMU 195. (+4) Fourth magnitude Alpha-Beta hyperplasma activates external space flow of Cosmic Synchronization (in the 3rd outer time dimension). Force field of informative samadhi (3D) activated by the red Kuali thermic force field of superconscious paranormality (5D).
21. V. 3, H. 14. BMU 196. (-3) Third magnitude Alpha-Beta hyperplasma sublimates external space flow of Cosmic Synchronization (in the 3rd outer time dimension). Force field of informative samadhi (3D) sublimated by the red Kuali thermic force field of superconscious paranormality (5D).

CIRCUIT 4—MARS (7 UNITS)

22. V. 4, H. 8. BMU 249. (+6) Sixth magnitude Alpha-Alpha hyperplasma activates external space flow of Cosmic Creation (in the 1st outer time dimension). Force field of profound samadhi (1D) activated by the red Kuali thermic force field of superconscious paranormality (5D).
23. V. 4, H. 9. BMU 250. (-5) Fifth magnitude Alpha-Alpha hyperplasma sublimates external space flow of Cosmic Creation (in the 1st outer time dimension). Force field of profound samadhi (1D) sublimated by the red Kuali thermic force field of superconscious paranormality (5D).
24. V. 4, H. 10. BMU 251. (-4) Fourth magnitude transformer-insulator unit of the red Kuali thermic force field sublimates 5th mental sphere: superconscious.
25. V. 4, H. 11. BMU 252. (4) Fourth magnitude hypergravitational field organizer of the red Kuali thermic force field neutralizes 5th mental sphere: superconscious. Central energizing core (H.11 axis/equatorial). Fourth gate of unity of right hand time. Core of the fifth time dimension.
26. V. 4, H. 12. BMU 253. (+4) Fourth magnitude transformer-insulator unit of the red Kuali thermic force field activates 5th mental sphere: superconscious.
27. V. 4, H. 13. BMU 254. (+5) Fifth magnitude Alpha-Beta hyperplasma activates external space flow of Cosmic Synchronization (in the 3rd outer time dimension). Force field of informative samadhi (3D) activated by the red Kuali thermic force field of superconscious paranormality (5D).
28. V. 4, H. 14. BMU 255. (-6) Sixth magnitude Alpha-Beta hyperplasma sublimates external space flow of Cosmic Synchronization (in the 3rd outer time dimension). Force field of informative samadhi (3D) sublimated by the red Kuali thermic force field of superconscious paranormality (5D).

CIRCUIT 5—MALDEK (7 UNITS)

29. V. 5, H. 8. BMU 300. (+7) Seventh magnitude Alpha-Alpha hyperplasma activates external space flow of Cosmic Creation (in the 1st outer time dimension). Force field of profound samadhi (1D) activated by the red Kualu thermic force field of superconscious paranormality (5D). Corresponds to the Artist (Star): second Gate of Power in Hunab Ku 21 in the Court of the Compassionate One (BMU 303). Activated by Dum Kualu “primal heat” (BMU 405) thermic-electric line of force. Art is the beginning of love. Galactic-karmic Venus.
30. V. 5, H. 9. BMU 301. (-8) Eighth magnitude Alpha-Alpha hyperplasma sublimates external space flow of Cosmic Creation (in the 1st outer time dimension). Force field of profound samadhi (1D) sublimated by the red Kualu thermic force field of superconscious paranormality (5D).
31. V. 5, H. 10. BMU 302. (-5) Fifth magnitude transformer-insulator unit of the red Kualu thermic force field sublimates 5th mental sphere: superconscious.
32. V. 5, H. 11. BMU 303. (5) Fifth magnitude hypergravitational field organizer of the red Kualu thermic force field neutralizes 5th mental sphere: superconscious. Central energizing core (H.11 axis/equatorial). Fifth gate of unity of right hand time. Corresponds to the Compassionate One (Dog): second Seat of Power of Hunab Ku 21 (external centrifugal force): Cosmic Love creates galactic heat cell. Love is heat. Love is the heart of the Cosmic Dream. Solar-prophetic Mercury.
33. V. 5, H. 12. BMU 304. (+5) Fifth magnitude transformer-insulator unit of the red Kualu thermic force field activates 5th mental sphere: superconscious.
34. V. 5, H. 13. BMU 305. (+8) Eighth magnitude Alpha-Beta hyperplasma activates external space flow of Cosmic Synchronization (in the 3rd outer time dimension). Force field of informative samadhi (3D) activated by the red Kualu thermic force field of superconscious paranormality (5D).
35. V. 5, H. 14. BMU 306. (-7) Seventh magnitude Alpha-Beta hyperplasma sublimates external space flow of Cosmic Synchronization (in the 3rd outer time dimension). Force field of informative samadhi (3D) sublimated by the red Kualu thermic force field of superconscious paranormality (5D). Corresponds to the Healer (Moon): second Source of Power of Hunab Ku 21 in the Court of the Compassionate One (BMU 303). Activated by Dum Duar “primal light” (BMU 411) luminic electrical charge. Healing is the source of love. Galactic-karmic Mercury.

CIRCUIT 6—JUPITER (7 UNITS)

36. V. 6, H. 8. BMU 343. (+10) Tenth magnitude Alpha-Alpha hyperplasma activates external space flow of Cosmic Creation (in the 1st outer time dimension). Force field of profound samadhi (1D) activated by the red Kualu thermic force field of superconscious paranormality (5D).
37. V. 6, H. 9. BMU 344. (-9) Ninth magnitude Alpha-Alpha hyperplasma sublimates external space flow of Cosmic Creation (in the 1st outer time dimension). Force field of profound samadhi (1D) sublimated by the red Kualu thermic force field of superconscious paranormality (5D).

38. V. 6, H. 10. BMU 345. (-6) Sixth magnitude transformer-insulator unit of the red Kuali thermic force field sublimates 5th mental sphere: superconscious.
39. V. 6, H. 11. BMU 346. (6) Sixth magnitude hypergravitational field organizer of the red Kuali thermic force field neutralizes 5th mental sphere: superconscious. Central energizing core (H.11 axis/equatorial). Sixth gate of unity of right hand time.
40. V. 6, H. 12. BMU 347. (+6) Sixth magnitude transformer-insulator unit of the red Kuali thermic force field activates 5th mental sphere: superconscious.
41. V. 6, H. 13. BMU 348. (+9) Ninth magnitude Alpha-Beta hyperplasma activates external space flow of Cosmic Synchronization (in the 3rd outer time dimension). Force field of informative samadhi (3D) activated by the red Kuali thermic force field of superconscious paranormality (5D).
42. V. 6, H. 14. BMU 349. (-10) Tenth magnitude Alpha-Beta hyperplasma sublimates external space flow of Cosmic Synchronization (in the 3rd outer time dimension). Force field of informative samadhi (3D) sublimated by the red Kuali thermic force field of superconscious paranormality (5D).

CIRCUIT 7—SATURN (7 UNITS)

43. V. 7, H. 8. BMU 378. (+11) Eleventh magnitude Alpha-Alpha hyperplasma activates external space flow of Cosmic Creation (in the 1st outer time dimension). Force field of profound samadhi (1D) activated by the red Kuali thermic force field of superconscious paranormality (5D).
44. V. 7, H. 9. BMU 379. (-12) Twelfth magnitude Alpha-Alpha hyperplasma sublimates external space flow of Cosmic Creation (in the 1st outer time dimension). Force field of profound samadhi (1D) sublimated by the red Kuali thermic force field of superconscious paranormality (5D).
45. V. 7, H. 10. BMU 380. (-7) Seventh magnitude transformer-insulator unit of the red Kuali thermic force field sublimates 5th mental sphere: superconscious.
46. V. 7, H. 11. BMU 381. (7) Seventh magnitude hypergravitational field organizer of the red Kuali thermic force field neutralizes 5th mental sphere: superconscious. Central energizing core (H.11 axis/equatorial). Seventh gate of unity of right hand time.
47. V. 7, H. 12. BMU 382. (+7) Seventh magnitude transformer-insulator unit of the red Kuali thermic force field activates 5th mental sphere: superconscious.
48. V. 7, H. 13. BMU 383. (+12) Twelfth magnitude Alpha-Beta hyperplasma activates external space flow of Cosmic Synchronization (in the 3rd outer time dimension). Force field of informative samadhi (3D) activated by the red Kuali thermic force field of superconscious paranormality (5D).
49. V. 7, H. 14. BMU 384. (-11) Eleventh magnitude Alpha-Beta hyperplasma sublimates external space flow of Cosmic Synchronization (in the 3rd outer time dimension). Force field of informative samadhi (3D) activated by the red Kuali thermic force field of superconscious paranormality (5D).

SIXTH TIME DIMENSION

RADIAL LEFT HAND TIME

Radial Time Dimension 2:

Right middle
(V.15-21, H.8-14).

Connects 4th and 2nd outer
time dimensions: Cosmic
Cube and Cosmic
Ascension.

Blue Duar Luminic Force
Field (outer negative
sublimating).

Heart of the Third-
Dimensional Body of
Temple.

Electromagnetic plane.

Sixth Mental Sphere: Subliminal Conscious/Parallel Universe Attractor.

Force Field of Hyperneutronic Subliminal Conscious.

Antares Force Field.

	V.15	V.16	V.17	V.18	V.19	V.20	V.21
H.8	43 368	36 329	29 282	22 227	15 164	8 93	1 14
H.9	44 367	37 328	30 281	23 226	16 163	9 92	2 13
H.10	45 366	38 327	31 280	24 225	17 162	10 91	3 12
H.11	46 365	39 326	32 279	25 224	18 161	11 90	4 11
H.12	47 364	40 325	33 278	27 223	19 160	12 89	5 10
H.13	48 363	41 324	34 277	27 222	20 159	13 88	6 9
H.14	49 362	42 323	35 276	28 221	21 158	14 87	7 8
	Circuit 7	Circuit 2	Circuit 5	Circuit 4	Circuit 3	Circuit 2	Circuit 1

	V.15	V.16	V.17	V.18	V.19	V.20	V.21
H.8	-17	-18	-21	-22	-25	-26	-
H.9	+20	+19	+24	+23	+28	+27	+
H.10	+7	+6	+5	+4	+3	+2	+1
H.11	7	6	5	4	3	2	1
H.12	-7	-6	-5	-4	-3	-2	-1
H.13	-20	-19	-24	-23	-28	-27	-
H.14	+17	+18	+21	+22	+25	+26	+

CIRCUIT 1—MERCURY (7 UNITS)

1. V. 21, H. 8. BMU 14. ~~VV-~~ Beta-Alpha terminal sublimates the hyperplasmic external space flow of Cosmic Ascension (second time dimension). Blue Duar luminic subliminal conscious force field sublimates force field of higher mind control.
2. V. 21, H. 9. BMU 13. ~~VV+~~ Beta-Alpha terminal activates the hyperplasmic external space flow of Cosmic Ascension (second time dimension). Blue Duar luminic subliminal conscious force field activates force field of higher mind control.
3. V. 21, H. 10. BMU 12. (+1) First magnitude transformer-insulator unit of the blue Duar luminic force field activates 6th mental sphere: subliminal conscious.
4. V. 21, H. 11. BMU 11. (1) First magnitude hypergravitational field organizer of the blue Duar luminic force field neutralizes 6th mental sphere: subliminal conscious/parallel universe attractor. Central energizing core (H.11 axis/equatorial). First gate of unity of left hand time.
5. V. 21, H. 12. BMU 10. (-1) First magnitude transformer-insulator unit of the blue Duar luminic force field sublimates 6th mental sphere: subliminal conscious.
6. V. 21, H. 13. BMU 9. ~~VV-~~ Beta-Beta terminal sublimates the hyperplasmic external space flow of Cosmic Cube (fourth time dimension). Blue Duar luminic subliminal conscious force field sublimates force field of waking conscious mediumship.

7. V. 21, H. 14. BMU 8. ~~VV+~~ Beta-Beta terminal activates the hyperplasmic external space flow of Cosmic Cube (fourth time dimension). Blue Duar luminic subliminal conscious force field activates force field of waking conscious mediumship.

CIRCUIT 2—VENUS (7 UNITS)

8. V. 20, H. 8. BMU 93. (-26) Twenty-sixth magnitude Beta-Alpha hyperplasma sublimates external space flow of Cosmic Ascension (in the 2nd outer time dimension). Force field of higher mind control (2D) sublimated by blue Duar luminic force field of subliminal conscious (6D).
9. V. 20, H. 9. BMU 92. (+27) Twenty-seventh magnitude Beta-Alpha hyperplasma activates external space flow of Cosmic Ascension (in the 2nd outer time dimension). Force field of higher mind control (2D) activated by blue Duar luminic force field of subliminal conscious (6D).
10. V. 20, H. 10. BMU 91. (+2) Second magnitude transformer-insulator unit of the blue Duar luminic force field activates 6th mental sphere: subliminal conscious.
11. V. 20, H. 11. BMU 90. (2) Second magnitude hypergravitational field organizer of the blue Duar luminic force field neutralizes 6th mental sphere: subliminal conscious/parallel universe attractor. Central energizing core (H.11 axis/equatorial). Second gate of unity of left hand time. Corresponds to the Innocent (Seed): fourth Light gate of Hunab Ku 21 (centripetal extremity). Internalizing centripetal process where electrical charges of hyperneutron and primal light (Dum Duar) combine to create subliminal conscious force of Cosmic Intelligence opening to the Court of the Pathfinder (BMU 279). Controls the powers of universal awareness to evolve the powers of cosmic intelligence. Galactic-karmic Jupiter.
12. V. 20, H. 12. BMU 89. (-2) Second magnitude transformer-insulator unit of the blue Duar luminic force field sublimates 6th mental sphere: subliminal conscious.
13. V. 20, H. 13. BMU 88. (-27) Twenty-seventh magnitude Beta-Beta hyperplasma sublimates external space flow of Cosmic Cube (in the 4th outer time dimension). Force field of waking conscious mediumship (4D) sublimated by blue Duar luminic force field of subliminal conscious (6D).
14. V. 20, H. 14. BMU 87. (+26) Twenty-sixth magnitude Beta-Beta hyperplasma activates external space flow of Cosmic Cube (in the 4th outer time dimension). Force field of waking conscious mediumship (4D) activated by blue Duar luminic force field of subliminal conscious (6D).

CIRCUIT 3—EARTH (7 UNITS)

15. V. 19, H. 8. BMU 164. (-25) Twenty-fifth magnitude Beta-Alpha hyperplasma sublimates external space flow of Cosmic Ascension (in the 2nd outer time dimension). Force field of higher mind control (2D) sublimated by blue Duar luminic force field of subliminal conscious (6D).
16. V. 19, H. 9. BMU 163. (+28) Twenty-eighth magnitude Beta-Alpha hyperplasma activates external space flow of Cosmic Ascension (in the 2nd outer time dimension). Force field of higher mind control (2D) activated by blue Duar luminic force field of subliminal conscious (6D).

17. V. 19, H. 10. BMU 162. (+3) Third magnitude transformer-insulator unit of the blue Duar luminic force field activates 6th mental sphere: subliminal conscious.
18. V. 19, H. 11. BMU 161. (3) Third magnitude hypergravitational field organizer of the blue Duar luminic force field neutralizes 6th mental sphere: subliminal conscious/parallel universe attractor. Central energizing core (H.11 axis/equatorial). Third gate of unity of left hand time.
19. V. 19, H. 12. BMU 160. (-3) Third magnitude transformer-insulator unit of the blue Duar luminic force field sublimates 6th mental sphere: subliminal conscious.
20. V. 19, H. 13. BMU 159. (-28) Twenty-eighth magnitude Beta-Beta hyperplasma sublimates external space flow of Cosmic Cube (in the 4th outer time dimension). Force field of waking conscious mediumship (4D) sublimated by blue Duar luminic force field of subliminal conscious (6D).
21. V. 19, H. 14. BMU 158. (+25) Twenty-fifth magnitude Beta-Beta hyperplasma activates external space flow of Cosmic Cube (in the 4th outer time dimension). Force field of waking conscious mediumship (4D) activated by blue Duar luminic force field of subliminal conscious (6D).

CIRCUIT 4—MARS (7 UNITS)

22. V. 18, H. 8. BMU 227. (-22) Twenty-second magnitude Beta-Alpha hyperplasma sublimates external space flow of Cosmic Ascension (in the 2nd outer time dimension). Force field of higher mind control (2D) sublimated by blue Duar luminic force field of subliminal consciousness (6D).
23. V. 18, H. 9. BMU 226. (+23) Twenty-third magnitude Beta-Alpha hyperplasma activates external space flow of Cosmic Ascension (in the 2nd outer time dimension). Force field of higher mind control (2D) activated by blue Duar luminic force field of subliminal conscious (6D).
24. V. 18, H. 10. BMU 225. (+4) Fourth magnitude transformer-insulator unit of the blue Duar luminic force field activates 6th mental sphere: subliminal conscious.
25. V. 18, H. 11. BMU 224. (4) Fourth magnitude hypergravitational field organizer of the blue Duar luminic force field neutralizes 6th mental sphere: subliminal conscious/parallel universe attractor. Central energizing core (H.11 axis/equatorial). Fourth gate of unity of left hand time. Core of the sixth time dimension.
26. V. 18, H. 12. BMU 223. (-4) Fourth magnitude transformer-insulator unit of the blue Duar luminic force field sublimates 6th mental sphere: subliminal conscious.
27. V. 18, H. 13. BMU 222. (-23) Twenty-third magnitude Beta-Beta hyperplasma sublimates external space flow of Cosmic Cube (in the 4th outer time dimension). Force field of waking conscious mediumship (4D) sublimated by blue Duar luminic force field of subliminal conscious (6D).
28. V. 18, H. 14. BMU 221. (+22) Twenty-second magnitude Beta-Beta hyperplasma activates external space flow of Cosmic Cube (in the 4th outer time dimension). Force field of waking conscious mediumship (4D) activated by blue Duar luminic force field of subliminal conscious (6D).

CIRCUIT 5—MALDEK (7 UNITS)

29. V. 17, H. 8. BMU 282. (-21) Twenty-first magnitude Beta-Alpha hyperplasma sublimates external space flow of Cosmic Ascension (in the 2nd outer time dimension). Force field of higher mind control (2D) sublimated by blue Duar luminic force field of subliminal consciousness (6D). Corresponds to the Seer (Eagle): fourth Source of Power in Hunab Ku 21 in the Court of the Pathfinder (BMU 279). Activated by Kum “heat of inner light” (BMU 399) thermic/luminic electrical line of force. Vision is the source of intelligence. Solar-prophetic Jupiter.
30. V. 17, H. 9. BMU 281. (+24) Twenty-fourth magnitude Beta-Alpha hyperplasma activates external space flow of Cosmic Ascension (in the 2nd outer time dimension). Force field of higher mind control (2D) activated by blue Duar luminic force field of subliminal conscious (6D).
31. V. 17, H. 10. BMU 280. (+5) Fifth magnitude transformer-insulator unit of the blue Duar luminic force field activates 6th mental sphere: subliminal conscious.
32. V. 17, H. 11. BMU 279. (5) Fifth magnitude hypergravitational field organizer of the blue Duar luminic force field neutralizes 6th mental sphere: subliminal conscious/parallel universe attractor. Central energizing core (H.11 axis/equatorial). Fifth gate of unity of left hand time. Corresponds to the Pathfinder (Warrior): fourth Seat of Power of Hunab Ku 21 (internal centripetal force): Court of Cosmic Intelligence. Cosmic Intelligence creates galactic light cell. Intelligence is centripetal force of cosmic totality. Intelligence is light. Solar-prophetic Saturn.
33. V. 17, H. 12. BMU 278. (-5) Fifth magnitude transformer-insulator unit of the blue Duar luminic force field sublimates 6th mental sphere: subliminal conscious.
34. V. 17, H. 13. BMU 277. (-24) Twenty-fourth magnitude Beta-Beta hyperplasma sublimates external space flow of Cosmic Cube (in the 4th outer time dimension). Force field of waking conscious mediumship (4D) sublimated by blue Duar luminic force field of subliminal conscious (6D).
35. V. 17, H. 14. BMU 276. (+21) Twenty-first magnitude Beta-Beta hyperplasma activates external space flow of Cosmic Cube (in the 4th outer time dimension). Force field of waking conscious mediumship (4D) activated by blue Duar luminic force field of subliminal conscious (6D). Corresponds to the Wizard: fourth Gate of Power in Hunab Ku 21 in the Court of the Pathfinder (BMU 279). Activated by Kemio “light of inner heat” (BMU 393) luminic/thermic electric line of force. Timelessness is the beginning of intelligence. Solar-prophetic Maldek.

CIRCUIT 6—JUPITER (7 UNITS)

36. V. 16, H. 8. BMU 329. (-18) Eighteenth magnitude Beta-Alpha hyperplasma sublimates external space flow of Cosmic Ascension (in the 2nd outer time dimension). Force field of higher mind control (2D) sublimated by blue Duar luminic force field of subliminal consciousness (6D).
37. V. 16, H. 9. BMU 328. (+19) Nineteenth magnitude Beta-Alpha hyperplasma activates external space flow of Cosmic Ascension (in the 2nd outer time dimension). Force field of higher mind control (2D) activated by blue Duar luminic force field of subliminal conscious (6D).

38. V. 16, H. 10. BMU 327. (+6) Sixth magnitude transformer-insulator unit of the blue Duar luminic force field activates 6th mental sphere: subliminal conscious.
39. V. 16, H. 11. BMU 326. (6) Sixth magnitude hypergravitational field organizer of the blue Duar luminic force field neutralizes 6th mental sphere: subliminal conscious/parallel universe attractor. Central energizing core (H.11 axis/equatorial). Sixth gate of unity of left hand time.
40. V. 16, H. 12. BMU 325. (-6) Sixth magnitude transformer-insulator unit of the blue Duar luminic force field sublimates 6th mental sphere: subliminal conscious.
41. V. 16, H. 13. BMU 324. (-19) Nineteenth magnitude Beta-Beta hyperplasma sublimates external space flow of Cosmic Cube (in the 4th outer time dimension). Force field of waking conscious mediumship (4D) sublimated by blue Duar luminic force field of subliminal conscious (6D).
42. V. 16, H. 14. BMU 323. (+18) Eighteenth magnitude Beta-Beta hyperplasma activates external space flow of Cosmic Cube (in the 4th outer time dimension). Force field of waking conscious mediumship (4D) activated by blue Duar luminic force field of subliminal conscious (6D).

CIRCUIT 7—SATURN (7 UNITS)

43. V. 15, H. 8. BMU 368. (-17) Seventeenth magnitude Beta-Alpha hyperplasma sublimates external space flow of Cosmic Ascension (in the 2nd outer time dimension). Force field of higher mind control (2D) sublimated by blue Duar luminic force field of subliminal consciousness (6D).
44. V. 15, H. 9. BMU 367. (+20) Twentieth magnitude Beta-Alpha hyperplasma activates external space flow of Cosmic Ascension (in the 2nd outer time dimension). Force field of higher mind control (2D) activated by blue Duar luminic force field of subliminal conscious (6D).
45. V. 15, H. 10. BMU 366. (+7) Seventh magnitude transformer-insulator unit of the blue Duar luminic force field (activates 6th mental sphere: subliminal conscious).
46. V. 15, H. 11. BMU 365. (7) Seventh magnitude hypergravitational field organizer of the blue Duar luminic force field neutralizes 6th mental sphere: subliminal conscious/parallel universe attractor. Central energizing core (H.11 axis/equatorial). Seventh gate of unity of left hand time.
47. V. 15, H. 12. BMU 364. (-7) Seventh magnitude transformer-insulator unit of the blue Duar luminic force field (sublimates 6th mental sphere: subliminal conscious).
48. V. 15, H. 13. BMU 363. (-20) Twentieth magnitude Beta-Beta hyperplasma sublimates external space flow of Cosmic Cube (in the 4th outer time dimension). Force field of waking conscious mediumship (4D) sublimated by blue Duar luminic force field of subliminal conscious (6D).
49. V. 15, H. 14. BMU 362. (+17) Seventeenth magnitude Beta-Beta hyperplasma activates external space flow of Cosmic Cube (in the 4th outer time dimension). Force field of waking conscious mediumship (4D) activated by blue Duar luminic force field of subliminal conscious (6D).

SEVENTH TIME DIMENSION

COSMIC COMMAND MATRIX—VERTICAL TIME DESCENDING

Radial Time Dimension 3:

Top middle
(V.8-14, H.1-7).

Connects 2nd and 1st
outer time dimensions:
Cosmic Ascension and
Cosmic Creation.

Crown of Fifth-Dimensional
Body of Radiance.

Biopsychic plane.

Seventh Mental Sphere:
Holomind Perceiver:
Radiosonic radialization of consciousness (descending).

Force Field of Hyperplasmic Enlightenment.
GM108X Force Field.

	V.8	V.9	V.10	V.11	V.12	V.13	V.14	
H.1	1	2	3	4	5	6	7	Circuit 1
	34	33	32	31	30	29	28	
H.2	8	9	10	11	12	13	14	Circuit 2
	111	110	109	108	107	106	105	
H.3	15	16	17	18	19	20	21	Circuit 3
	180	179	178	177	176	175	174	
H.4	22	23	24	25	27	27	28	Circuit 4
	241	240	239	238	237	236	235	
H.5	29	30	31	32	33	34	35	Circuit 5
	294	293	292	291	290	289	288	
H.6	36	37	38	39	40	41	42	Circuit 6
	339	338	337	336	335	334	333	
H.7	43	44	45	46	47	48	49	Circuit 7
	376	375	374	373	372	371	370	

	V.8	V.9	V.10	V.11	V.12	V.13	V.14	
H.1	-	+	66	82	106	-	+	Circuit 1
	∇∇-	∇∇+				∇∇-	∇∇+	
H.2	-26	+27	68	84	108	-1	+2	Circuit 2
H.3	-25	+28	70	86	110	-4	+3	Circuit 3
H.4	-22	+23	71	87	111	-5	+6	Circuit 4
H.5	-21	+24	72	88	109	-8	+7	Circuit 5
H.6	-18	+19	69	85	107	-9	+10	Circuit 6
H.7	-17	+20	67	83	112	-12	+11	Circuit 7

CIRCUIT 1—MERCURY (7 UNITS)

1. V. 8, H. 1. BMU 34. ∇∇- Alpha-Alpha terminal sublimates the hyperplasmic external space flow of Cosmic Creation (first time dimension). Force field of profound samadhi sublimated by radiosonically radialized Holomind Perceiver force field (7D): Cosmic Command Descending.
2. V. 9, H. 1. BMU 33. ∇∇+ Alpha-Alpha terminal activates the hyperplasmic external space flow of Cosmic Creation (first time dimension). Force field of profound samadhi sublimated by radiosonically radialized Holomind Perceiver force field (7D): Cosmic Command Descending.
3. V. 10, H. 1. BMU 32. UR Harmonic Rune 66: Divine Decree Establishes Time of Second Creation. Octave 1: Octave of Divine Decree. Rune Strand 9.
4. V. 11, H. 1: BMU 31. UR Harmonic Rune 82: Galactic Life Whole Evolved as Time. Octave 3: Octave of the Galactic Life Whole. Rune Strand 11. First gate of unity of vertical time descending.
5. V. 12, H. 1. BMU 30. UR Harmonic Rune 106: Infinite Mind Wave Floats in Time. Octave 6: Octave of the Infinite Mind Wave. Rune Strand 14.
6. V. 13, H. 1. BMU 29. ∇∇- Beta-Alpha generator sublimates the hyperplasmic external space flow of Cosmic Ascension (second time dimension). Force field of higher mind control (2D) activated by radiosonically radialized Holomind Perceiver force field (7D): Cosmic Command Descending.
7. V. 14, H. 1. BMU 28. ∇∇+ Beta-Alpha generator activates the hyperplasmic external space flow of Cosmic Ascension (second time dimension). Force field of higher mind control (2D) activated by radiosonically radialized Holomind Perceiver force field (7D): Cosmic Command Descending.

CIRCUIT 2—VENUS (7 UNITS)

8. V. 8, H. 2. BMU 111. (-26) Twenty-sixth magnitude Alpha-Alpha hyperplasma sublimates external space flow of Cosmic Creation (in the 1st outer time dimension). Force field of profound samadhi (1D) activated by radiosonically radialized Holomind Perceiver force field (7D): Cosmic Command Descending.
9. V. 9, H. 2. BMU 110. (+27) Twenty-seventh magnitude Beta-Alpha hyperplasma activates external space flow of Cosmic Creation (in the 1st outer time dimension). Force field of profound samadhi (1D) activated by radiosonically radialized Holomind Perceiver force field (7D): Cosmic Command Descending.
10. V. 10, H. 2. BMU 109. UR Harmonic Rune 68: Divine Decree Establishes Firmament of Second Creation. Octave 1: Octave of Divine Decree. Rune Strand 9.
11. V. 11, H. 2. BMU 108. UR Harmonic Rune 84: Galactic Life Whole Becomes Medium of Transmission. Octave 3: Octave of the Galactic Life Whole. Rune Strand 11. Second gate of unity of vertical time descending. Corresponds to the Primal Force (Dragon): first Light gate of Hunab Ku 21. Opens the Universal Light Gate to the Court of the Avatar (BMU 291) where cosmic knowledge is stored. Primal Force descends from the North (Marka) Pole as Cosmic Being, evolving into all different forms of manifestation. Generates hyperplasma Alpha-Alpha stimulating profound samadhi and seals the radial plasma Dali. Opens first heptad gate: Gate of the Throne. Galactic-karmic Neptune.
12. V. 12, H. 2. BMU 107. UR Harmonic Rune 108: Infinite Mind Wave Becomes Waking Consciousness. Octave 6: Octave of the Infinite Mind Wave. Rune Strand 14.
13. V. 13, H. 2. BMU 106. (-1) First magnitude Beta-Alpha hyperplasma sublimates external space flow of Cosmic Ascension (in the 2nd outer time dimension). Force field of higher mind control (2D) sublimated by radiosonically radialized Holomind Perceiver force field (7D): Cosmic Command Descending.
14. V. 14, H. 2. BMU 105. (+2) Second magnitude Beta-Alpha hyperplasma activates external space flow of Cosmic Ascension (in the 2nd outer time dimension). Force field of higher mind control (2D) activated by radiosonically radialized Holomind Perceiver force field (7D): Cosmic Command Descending.

CIRCUIT 3—EARTH (7 UNITS)

15. V. 8, H. 3. BMU 180. (-25) Twenty-fifth magnitude Alpha-Alpha hyperplasma sublimates external space flow of Cosmic Creation (in the 1st outer time dimension). Force field of profound samadhi (1D) sublimated by radiosonically radialized Holomind Perceiver force field (7D): Cosmic Command Descending.

16. V. 9, H. 3. BMU 179. (+28) Twenty-eighth magnitude Alpha-Alpha hyperplasma activates external space flow of Cosmic Creation (in the 1st outer time dimension). Force field of profound samadhi (1D) activated by radiosonically radialized Holomind Perceiver force field (7D): Cosmic Command Descending.
17. V. 10, H. 3. BMU 178. UR Harmonic Rune 70: Firmament Divides Space. Octave 1: Octave of Divine Decree. Rune Strand 9.
18. V. 11, H. 3. BMU 177. UR Harmonic Rune 86: Galactic Life Channels Space. Octave 3: Octave of the Galactic Life Whole. Rune Strand 11. Third gate of unity of vertical time descending.
19. V. 12, H. 3. BMU 176. UR Harmonic Rune 110: Waking Consciousness Discriminates Space. Octave 6: Octave of the Infinite Mind Wave. Rune Strand 14.
20. V. 13, H. 3. BMU 175. (-4) Fourth magnitude Beta-Alpha hyperplasma sublimates external space flow of Cosmic Ascension (in the 2nd outer time dimension). Force field of higher mind control (2D) activated by radiosonically radialized Holomind Perceiver force field (7D): Cosmic Command Descending.
21. V. 14, H. 3. BMU 174. (+3) Third magnitude Beta-Alpha hyperplasma activates external space flow of Cosmic Ascension (in the 2nd outer time dimension). Force field of higher mind control (2D) activated by radiosonically radialized Holomind Perceiver force field (7D): Cosmic Command Descending.

CIRCUIT 4—MARS (7 UNITS)

22. V. 8, H. 4. BMU 241. (-22) Twenty-second magnitude Alpha-Alpha hyperplasma sublimates external space flow of Cosmic Creation (in the 1st outer time dimension). Force field of profound samadhi (1D) sublimated by radiosonically radialized Holomind Perceiver force field (7D): Cosmic Command Descending.
23. V. 9, H. 4. BMU 240. (+23) Twenty-third magnitude Alpha-Alpha hyperplasma activates external space flow of Cosmic Creation (in the 1st outer time dimension). Force field of profound samadhi (1D) activated by radiosonically radialized Holomind Perceiver force field (7D): Cosmic Command Descending.
24. V. 10, H. 4. BMU 239. UR Harmonic Rune 71: Divine Decree Unifies Timespace. Octave 1: Octave of Divine Decree. Rune Strand 9.
25. V. 11, H. 4. BMU 238. UR Harmonic Rune 87: Timespace Unifies Galactic Life Whole. Octave 3: Octave of the Galactic Life Whole. Rune Strand 11. Fourth gate of unity of vertical time descending. Core of the seventh time dimension.
26. V. 12, H. 4. BMU 237. UR Harmonic Rune 111: Infinite Mind Wave Reflects Infinity. Octave 6: Octave of the Infinite Mind Wave. Rune Strand 14.

27. V. 13, H. 4. BMU 236. (-5) Fifth magnitude Beta-Alpha hyperplasma sublimates external space flow of Cosmic Ascension (in the 2nd outer time dimension). Force field of higher mind control (2D) activated by radiosonically radialized Holomind Perceiver force field (7D): Cosmic Command Descending.
28. V. 14, H. 4. BMU 235. (+6) Sixth magnitude Beta-Alpha hyperplasma activates external space flow of Cosmic Ascension (in the 2nd outer time dimension). Force field of higher mind control (2D) activated by radiosonically radialized Holomind Perceiver force field (7D): Cosmic Command Descending.

CIRCUIT 5—MALDEK (7 UNITS)

29. V. 8, H. 5. BMU 294. (-21) Twenty-first magnitude Alpha-Alpha hyperplasma sublimates external space flow of Cosmic Creation (in the 1st outer time dimension). Force field of profound samadhi (1D) sublimated by radiosonically radialized Holomind Perceiver force field (7D): Cosmic Command Descending. Corresponds to the Hierophant (Worldbringer): first Source of Power in Hunab Ku 21 in the Court of the Avatar (BMU 291). Activated by ascending Dum Kuali (BMU 405) “primal heat” thermic charge. Death is the source of knowledge. Galactic-karmic Mars.
30. V. 9, H. 5. BMU 293. (+24) Twenty-fourth magnitude Alpha-Alpha hyperplasma activates external space flow of Cosmic Creation (in the 1st outer time dimension). Force field of profound samadhi (1D) activated by radiosonically radialized Holomind Perceiver force field (7D): Cosmic Command Descending.
31. V. 10, H. 5. BMU 292. UR Harmonic Rune 72: Timespace Establishes Cosmos as One Universal Mind. Octave 1: Octave of Divine Decree. Rune Strand 9.
32. V. 11, H. 5. BMU 291. UR Harmonic Rune 88: Galactic Life Whole Realized as Cosmic Consciousness. Octave 3: Octave of the Galactic Life Whole. Rune Strand 11. Fifth gate of unity of vertical time descending. Corresponds to the Avatar (Hand): first Seat of Power in Hunab Ku 21. Generates secondary Marka (North) Pole hyperplasma Alpha-Beta stimulating informative samadhi and seals the radial plasma Seli. Holds the Court of Cosmic Knowledge. Opens second heptad gate: Gate of the Avatar. Galactic-karmic Earth.
33. V. 12, H. 5. BMU 290. UR Harmonic Rune 109: Waking Consciousness Identified as Time. Octave 6: Octave of the Infinite Mind Wave. Rune Strand 14.
34. V. 13, H. 5. BMU 289. (-8) Eighth magnitude Beta-Alpha hyperplasma sublimates external space flow of Cosmic Ascension (in the 2nd outer time dimension). Force field of higher mind control (2D) sublimated by radiosonically radialized Holomind Perceiver force field (7D): Cosmic Command Descending.
35. V. 14, H. 5. BMU 288. (+7) Seventh magnitude Beta-Alpha hyperplasma activates external space flow of Cosmic Ascension (in the 2nd outer time dimension). Force field of higher mind control (2D) activated by radiosonically radialized Holomind Perceiver force field (7D): Cosmic Command Descending. Corresponds to the Serpent Initiate (Serpent): first Gate of Power in Hunab Ku 21 in the Court of the Avatar (BMU 291). Activated by ascending Kum “heat of inner light” (BMU 399) thermic/luminic electrical charge. Sex is the beginning of knowledge. Galactic-karmic Maldek.

CIRCUIT 6—JUPITER (7 UNITS)

36. V. 8, H. 6. BMU 339. (-18) Eighteenth magnitude Alpha-Alpha hyperplasma sublimates external space flow of Cosmic Creation (in the 1st outer time dimension). Force field of profound samadhi (1D) sublimated by radiosonically radialized Holomind Perceiver force field (7D): Cosmic Command Descending.
37. V. 9, H. 6. BMU 338. (+19) Nineteenth magnitude Alpha-Alpha hyperplasma activates external space flow of Cosmic Creation (in the 1st outer time dimension). Force field of profound samadhi (1D) activated by radiosonically radialized Holomind Perceiver force field (7D): Cosmic Command Descending.
38. V. 10, H. 6. BMU 337. UR Harmonic Rune 69: Firmament Divides Time. Octave 1: Octave of Divine Decree. Rune Strand 9.
39. V. 11, H. 6. BMU 336. UR Harmonic Rune 85: Galactic Life Whole Channels Time. Octave 3: Octave of the Galactic Life Whole. Rune Strand 11. Sixth gate of unity of vertical time descending.
40. V. 12, H. 6. BMU 335. UR Harmonic Rune 107: Infinite Mind Wave Illumines Space. Octave 6: Octave of the Infinite Mind Wave. Rune Strand 14.
41. V. 13, H. 6. BMU 334. (-9) Ninth magnitude Beta-Alpha hyperplasma sublimates external space flow of Cosmic Ascension (in the 2nd outer time dimension). Force field of higher mind control (2D) sublimated by radiosonically radialized Holomind Perceiver force field (7D): Cosmic Command Descending.
42. V. 14, H. 6. BMU 333. (+10) Tenth magnitude Beta-Alpha hyperplasma activates external space flow of Cosmic Ascension (in the 2nd outer time dimension). Force field of higher mind control (2D) activated by radiosonically radialized Holomind Perceiver force field (7D): Cosmic Command Descending.

CIRCUIT 7—SATURN (7 UNITS)

43. V. 8, H. 7. BMU 376. (-17) Seventeenth magnitude Alpha-Alpha hyperplasma sublimates external space flow of Cosmic Creation (in the 1st outer time dimension). Force field of profound samadhi (1D) sublimated by radiosonically radialized Holomind Perceiver force field (7D): Cosmic Command Descending.
44. V. 9, H. 7. BMU 375. (+20) Twentieth magnitude Alpha-Alpha hyperplasma activates external space flow of Cosmic Creation (in the 1st outer time dimension). Force field of profound samadhi (1D) activated by radiosonically radialized Holomind Perceiver force field (7D): Cosmic Command Descending.
45. V. 10, H. 7. BMU 374. UR Harmonic Rune 67: Divine Decree Establishes Space of Second Creation. Octave 1: Octave of Divine Decree. Rune Strand 9.

46. V. 11, H. 7. BMU 373. UR Harmonic Rune 83: Galactic Life Whole Extends into Space. Octave 3: Octave of the Galactic Life Whole. Rune Strand 11. Seventh gate of unity of vertical time descending.
47. V. 12, H. 7. BMU 372. UR Harmonic Rune 112: Infinite Mind Wave Evolves Infinity. Octave 6: Octave of the Infinite Mind Wave. Rune Strand 14.
48. V. 13, H. 7. BMU 371. (-12) Twelfth magnitude Beta-Alpha hyperplasma sublimates external space flow of Cosmic Ascension (in the 2nd outer time dimension). Force field of higher mind control (2D) sublimated by radiosonically radialized Holomind Perceiver force field (7D): Cosmic Command Descending.
49. V. 14, H. 7. BMU 370. (+11) Eleventh Beta-Alpha hyperplasma activates external space flow of Cosmic Ascension (in the 2nd outer time dimension). Force field of higher mind control (2D) activated by radiosonically radialized Holomind Perceiver force field (7D): Cosmic Command Descending.

EIGHTH TIME DIMENSION

HARMONIC COMMAND MATRIX—VERTICAL TIME ASCENDING

Radial Time Dimension 4:

Bottom middle
(V.8-14, H.15-21).
Connects 3rd and
4th outer time
dimensions: Cosmic
Synchronization and
Cosmic Cube.
Root of Fifth-Dimensional
Body of Radiance.
Gravitational plane.
Seventh Mental Sphere:
Holomind Perceiver: Radiosonic radialization of consciousness (ascending).
Force Field of Hyperplasmic Enlightenment.
Arcturus Force Field.

	V.8	V.9	V.10	V.11	V.12	V.13	V.14
H.15	43	44	45	46	47	48	49
	386	387	388	389	390	391	392
H.16	36	37	38	39	40	41	42
	353	354	355	356	357	358	359
H.17	29	30	31	32	33	34	35
	312	313	314	315	316	317	318
H.18	22	23	24	25	27	27	28
	263	264	265	266	267	268	269
H.19	15	16	17	18	19	20	21
	206	207	208	209	210	211	212
H.20	8	9	10	11	12	13	14
	141	142	143	144	145	146	147
H.21	1	2	3	4	5	6	7
	68	69	70	71	72	73	74

	V.8	V.9	V.10	V.11	V.12	V.13	V.14
H.15	+17	-20	100	92	76	+12	-11
H.16	+18	-19	102	94	78	+9	-10
H.17	+21	-24	103	95	79	+8	-7
H.18	+22	-23	101	96	80	+5	-6
H.19	+25	-28	99	93	77	+4	-3
H.20	+26	-27	97	91	75	+1	-2
H.21	+ - - +	- + + -	104	89	73	+ - - +	- + + -

CIRCUIT 1—MERCURY (7 UNITS)

- V. 8, H. 21. BMU 68. ~~VV+~~ Alpha-Beta terminal activates the hyperplasmic external space flow of Cosmic Synchronization (third time dimension). Force field of informative samadhi activated by radiosonically radialized Holomind Perceiver force field (8D): Harmonic Command Ascending.
- V. 9, H. 21. BMU 69. ~~VV-~~ Alpha-Beta terminal sublimates the hyperplasmic external space flow of Cosmic Synchronization (third time dimension). Force field of informative samadhi sublimated by radiosonically radialized Holomind Perceiver force field (8D): Harmonic Command Ascending.
- V. 10, H. 21. BMU 70. UR Harmonic Rune 104: Channel of Commands Creates Cosmic Order. Octave 5: Octave of the Union of Ascent and Descent. Rune Strand 13.
- V. 11, H. 21. BMU 71. UR Harmonic Rune 89: Morphogenesis Establishes Galactic Art Whole. Octave 4: Octave of the Galactic Art Whole. Rune Strand 12. First gate of unity of vertical time ascending.
- V. 12, H. 21. BMU 72. UR Harmonic Rune 73: Command of Cosmic Creation Realized as Tree of Cosmic Fire. Octave 2: Octave of the Tree of Cosmic Fire. Rune Strand 10.
- V. 13, H. 21. BMU 73. ~~VV+~~ Beta-Beta generator activates the hyperplasmic external space flow of Cosmic Cube (fourth time dimension). Force field of waking conscious mediumship (4D) activated by radiosonically radialized Holomind Perceiver force field (8D): Harmonic Command Ascending.
- V. 14, H. 21. BMU 74. ~~VV-~~ Beta-Beta generator sublimates the hyperplasmic external space flow of Cosmic Cube (fourth time dimension). Force field of waking conscious mediumship (4D) sublimated by radiosonically radialized Holomind Perceiver force field (8D): Harmonic Command Ascending.

CIRCUIT 2—VENUS (7 UNITS)

8. V. 8, H. 20. BMU 141. (+26) Twenty-sixth magnitude Alpha-Beta hyperplasma activates external space flow of Cosmic Synchronization (in the 3rd outer time dimension). Force field of informative samadhi (3D) activated by radiosonically radialized Holomind Perceiver force field (8D): Harmonic Command Ascending.
9. V. 9, H. 20. BMU 142. (-27) Twenty-seventh magnitude Alpha-Beta hyperplasma sublimates external space flow of Cosmic Synchronization (in the 3rd outer time dimension). Force field of informative samadhi (3D) sublimated by radiosonically radialized Holomind Perceiver force field (8D): Harmonic Command Ascending.
10. V. 10, H. 20. BMU 143. UR Harmonic Rune 97: Union of Ascent and Descent. Octave 5: Octave of the Union of Ascent and Descent. Rune Strand 13.
11. V. 11, H. 20. BMU 144. UR Harmonic Rune 91: Galactic Art Whole Defines Space. Octave 4: Octave of the Galactic Art Whole. Rune Strand 12. Second gate of unity of vertical time ascending. Corresponds to the High Priestess (Wind): second Light gate of Hunab Ku 21. Opens the Universal Light Gate to the Court of the Prophet (BMU 315) where cosmic prophecy is stored. High Priestess ascends from the South (Darka) Pole as Cosmic Breath and ascends as prophecy. Generates hyperplasma Beta-Beta stimulating waking conscious mediumship and seals the radial plasma Gamma. Opens third heptad gate: Gate of the Mystery. Solar-prophetic Uranus.
12. V. 12, H. 20. BMU 145. UR Harmonic Rune 75: Tree of Fire Extends to Four Quarters of Space. Octave 2: Octave of the Tree of Cosmic Fire. Rune Strand 10.
13. V. 13, H. 20. BMU 146. (+1) First magnitude Beta-Beta hyperplasma activates external space flow of Cosmic Cube (in the 4th outer time dimension). Force field of waking conscious mediumship (4D) activated by radiosonically radialized Holomind Perceiver force field (8D): Harmonic Command Ascending.
14. V. 14, H. 20. BMU 147. (-2) Second magnitude Beta-Beta hyperplasma sublimates external space flow of Cosmic Cube (in the 4th outer time dimension). Force field of waking conscious mediumship (4D) sublimated by radiosonically radialized Holomind Perceiver force field (8D): Harmonic Command Ascending.

CIRCUIT 3—EARTH (7 UNITS)

15. V. 8, H. 19. BMU 206. (+25) Twenty-fifth magnitude Alpha-Beta hyperplasma activates external space flow of Cosmic Synchronization (in the 3rd outer time dimension). Force field of informative samadhi (3D) activated by radiosonically radialized Holomind Perceiver force field (8D): Harmonic Command Ascending.
16. V. 9, H. 19. BMU 207. (-28) Twenty-eighth magnitude Alpha-Beta hyperplasma sublimates external space flow of Cosmic Synchronization (in the 3rd outer time dimension). Force field of informative samadhi (3D) sublimated by radiosonically radialized Holomind Perceiver force field (8D): Harmonic Command Ascending.

17. V. 10, H. 19. BMU 208. UR Harmonic Rune 99: Space Perfected by Union of Ascent and Descent. Octave 5: Octave of the Union of Ascent and Descent. Rune Strand 13.
18. V. 11, H. 19. BMU 209. UR Harmonic Rune 93: Structure of Reality Evolved by Time. Octave 4: Octave of the Galactic Art Whole. Rune strand 12. Third gate of unity of vertical time ascending.
19. V. 12, H. 19. BMU 210. UR Harmonic Rune 77: Firmament Defines Movement of Time as Day-Night. Octave 2: Octave of the Tree of Cosmic Fire. Rune Strand 10.
20. V. 13, H. 19. BMU 211. (+4) Fourth magnitude Beta-Beta hyperplasma activates external space flow of Cosmic Cube (in the 4th outer time dimension). Force field of waking conscious mediumship (4D) activated by radiosonically radialized Holomind Perceiver force field (8D): Harmonic Command Ascending.
21. V. 14, H. 19. BMU 212. (-3) Third magnitude Beta-Beta hyperplasma sublimates external space flow of Cosmic Cube (in the 4th outer time dimension). Force field of waking conscious mediumship (4D) sublimated by radiosonically radialized Holomind Perceiver force field (8D): Harmonic Command Ascending.

CIRCUIT 4—MARS (7 UNITS)

22. V. 8, H. 18. BMU 263. (+22) Twenty-second magnitude Alpha-Beta hyperplasma activates external space flow of Cosmic Synchronization (in the 3rd outer time dimension). Force field of informative samadhi (3D) activated by radiosonically radialized Holomind Perceiver force field (8D): Harmonic Command Ascending.
23. V. 9, H. 18. BMU 264. (-23) Twenty-third magnitude Alpha-Beta hyperplasma sublimates external space flow of Cosmic Synchronization (in the 3rd outer time dimension). Force field of informative samadhi (3D) sublimated by radiosonically radialized Holomind Perceiver force field (8D): Harmonic Command Ascending.
24. V. 10, H. 18. BMU 265. UR Harmonic Rune 101: System of Command Actualized in Time. Octave 5: Octave of the Union of Ascent and Descent. Rune Strand 13.
25. V. 11, H. 18. BMU 266. UR Harmonic Rune 96: Galactic Art Whole Gives Form to Cosmic Consciousness. Octave 4: Octave of the Galactic Art Whole. Strand 12. Fourth gate of unity of vertical time ascending. Core of the eighth time dimension: Harmonic Command Ascending.
26. V. 12, H. 18. BMU 267. UR Harmonic Rune 80: Tree of Cosmic Fire Returns to Source as Star Mind. Second Octave: Octave of the Tree of Cosmic Fire. Rune Strand 10.
27. V. 13, H. 18. BMU 268. (+5) Fifth magnitude Beta-Beta hyperplasma activates external space flow of Cosmic Cube (in the 4th outer time dimension). Force field of waking conscious mediumship (4D) activated by radiosonically radialized Holomind Perceiver force field (8D): Harmonic Command Ascending.

28. V. 14, H. 18. BMU 269. (-6) Sixth magnitude Beta-Beta hyperplasma sublimates external space flow of Cosmic Cube (in the 4th outer time dimension). Force field of waking conscious mediumship (4D) sublimated by radiosonically radialized Holomind Perceiver force field (8D): Harmonic Command Ascending.

CIRCUIT 5—MALDEK (7 UNITS)

29. V. 8, H. 17. BMU 312. (+21) Twenty-first magnitude Alpha-Beta hyperplasma activates external space flow of Cosmic Synchronization (in the 3rd outer time dimension). Force field of informative samadhi (3D) activated by radiosonically radialized Holomind Perceiver force field (8D): Harmonic Command Ascending. Corresponds to the Magician (Monkey): third Gate of Power in Hunab Ku 21 in the Court of the Prophet (BMU 315). Activated by descending Dum Duar “primal light” (BMU 411) luminic electrical charge. Magic is the beginning of prophecy. Solar-prophetic Venus.
30. V. 9, H. 17. BMU 313. (-24) Twenty-fourth magnitude Alpha-Beta hyperplasma sublimates external space flow of Cosmic Synchronization (in the 3rd outer time dimension). Force field of informative samadhi (3D) sublimated by radiosonically radialized Holomind Perceiver force field (8D): Harmonic Command Ascending.
31. V. 10, H. 17. BMU 314. UR Harmonic Rune 103: Channel of Command Becomes Self-Evolving. Octave 5: Octave of the Union of Ascent and Descent. Rune Strand 13.
32. V. 11, H. 17. BMU 315. UR Harmonic Rune 95: Galactic Art Whole Becomes Meditation of Reality. Octave 4: Octave of the Galactic Art Whole. Rune Strand 12. Fifth gate of unity of vertical time ascending. Corresponds to the Prophet (Skywalker): third Seat of Power in Hunab Ku 21. Generates secondary Darka (South) Pole hyperplasma Beta-Alpha stimulating higher mind control and seals the radial plasma Kali. Holds Court of Cosmic Prophecy. Opens the fourth heptad gate: Gate of the Initiation. Solar-prophetic Mars.
33. V. 12, H. 17. BMU 316. UR Harmonic Rune 79: Tree of Cosmic Fire Generates Planet Mind. Octave 2: Octave of the Tree of Cosmic Fire. Rune Strand 10.
34. V. 13, H. 17. BMU 317. (+8) Eighth magnitude Beta-Beta hyperplasma activates external space flow of Cosmic Cube (in the 4th outer time dimension). Force field of waking conscious mediumship (4D) activated by radiosonically radialized Holomind Perceiver force field (8D): Harmonic Command Ascending.
35. V. 14, H. 17. BMU 318. (-7) Seventh magnitude Beta-Beta hyperplasma sublimates external space flow of Cosmic Cube (in the 4th outer time dimension). Force field of waking conscious mediumship (4D) sublimated by radiosonically radialized Holomind Perceiver force field (8D): Harmonic Command Ascending. Corresponds to the Sage (Human): third Source of Power in Hunab Ku 21 in the Court of the Prophet (BMU 315). Activated by descending Kemio “light of inner heat” (BMU 393) luminic/thermic electric line of force. Wisdom is the source of prophecy. Solar-prophetic Earth.

CIRCUIT 6—JUPITER (7 UNITS)

36. V. 8, H. 16. BMU 353. (+18) Eighteenth magnitude Alpha-Beta hyperplasma activates external space flow of Cosmic Synchronization (in the 3rd outer time dimension). Force field of informative samadhi (3D) activated by radiosonically radialized Holomind Perceiver force field (8D): Harmonic Command Ascending.
37. V. 9, H. 16. BMU 354. (-19) Nineteenth magnitude Alpha-Beta hyperplasma sublimates external space flow of Cosmic Synchronization (in the 3rd outer time dimension). Force field of informative samadhi (3D) sublimated by radiosonically radialized Holomind Perceiver force field (8D): Harmonic Command Ascending.
38. V. 10, H. 16. BMU 355. UR Harmonic Rune 102: System of Commands Evolves Cosmic Space. Octave 5: Octave of the Union of Ascent and Descent. Rune Strand 13.
39. V. 11, H. 16. BMU 356. UR Harmonic Rune 94: Structure of Reality Becomes Architecture of Space. Octave 4: Octave of the Galactic Art Whole. Rune Strand 12. Sixth gate of unity of vertical time ascending.
40. V. 12, H. 16. BMU 357. UR Harmonic Rune 78: Day-and-Night Defines Cosmic Space. Octave 2: Octave of the Tree of Cosmic Fire. Rune Strand 10.
41. V. 13, H. 16. BMU 358. (+9) Ninth magnitude Beta-Beta hyperplasma activates external space flow of Cosmic Cube (in the 4th outer time dimension). Force field of waking conscious mediumship (4D) activated by radiosonically radialized Holomind Perceiver force field (8D): Harmonic Command Ascending.
42. V. 14, H. 16. BMU 359. (-10) Tenth magnitude Beta-Beta hyperplasma sublimates external space flow of Cosmic Cube (in the 4th outer time dimension). Force field of waking conscious mediumship (4D) sublimated by radiosonically radialized Holomind Perceiver force field (8D): Harmonic Command Ascending.

CIRCUIT 7—SATURN (7 UNITS)

43. V. 8, H. 15. BMU 386. (+17) Seventeenth magnitude Alpha-Beta hyperplasma activates external space flow of Cosmic Synchronization (in the 3rd outer time dimension). Force field of informative samadhi (3D) activated by radiosonically radialized Holomind Perceiver force field (8D): Harmonic Command Ascending.
44. V. 9, H. 15. BMU 387. (-20) Twentieth magnitude Alpha-Beta hyperplasma sublimates external space flow of Cosmic Synchronization (in the 3rd outer time dimension). Force field of informative samadhi (3D) sublimated by radiosonically radialized Holomind Perceiver force field (8D): Harmonic Command Ascending.
45. V. 10, H. 15. BMU 388. UR Harmonic Rune 100: Union of Ascent and Descent Established as Cosmic Space. Octave 5: Octave of the Union of Ascent and Descent. Rune Strand 13.

46. V. 11, H. 15. BMU 389. UR Harmonic Rune 92: Galactic Art Whole Becomes Structure of Reality. Octave 4: Octave of the Galactic Art Whole. Rune Strand 12. Seventh gate of unity of vertical time ascending.
47. V. 12, H. 15. BMU 390. UR Harmonic Rune 76: Command of Cosmic Creation Enlightens Firmament. Octave 2: Octave of the Tree of Cosmic Fire. Rune Strand 10.
48. V. 13, H. 15. BMU 391. (+12) Twelfth magnitude Beta-Beta hyperplasma activates external space flow of Cosmic Cube (in the 4th outer time dimension). Force field of waking conscious mediumship (4D) activated by radiosonically radialized Holomind Perceiver force field (8D): Harmonic Command Ascending.
49. V. 14, H. 15. BMU 392. (-11) Eleventh magnitude Beta-Beta hyperplasma sublimates external space flow of Cosmic Cube (in the 4th outer time dimension). Force field of waking conscious mediumship (4D) sublimated by radiosonically radialized Holomind Perceiver force field (8D): Harmonic Command Ascending.

NINTH TIME DIMENSION

INNER CORE TIME

Central Coordinating Time Dimension:

Matrix center (V.8-14, H.8-14).

Omnigalactic Central Star Council: Radio tuning, transmitter and receiver station, the source of all the 441 and synchronic codes.

Sirius B-52/Element 113

Force Field of Hyperplasmic Enlightenment.

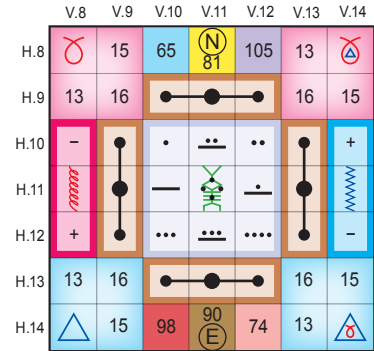
Seventh Mental Sphere: Holomind Perceiver – central coordinating core.

Heart of Fifth-Dimensional Body of Radiance.

Electromagnetic plane.

Force Field of the Universal Cosmic Core.

	V.8	V.9	V.10	V.11	V.12	V.13	V.14
H.8	13	12	11	10	9	8	7
	405	404	403	402	401	400	399
H.9	14	33	32	31	30	29	6
	406	425	424	423	422	421	398
H.10	15	34	45	44	43	28	5
	407	426	437	436	435	420	397
H.11	16	35	46	49	42	27	4
	408	427	438	441	434	419	396
H.12	17	36	47	48	41	26	3
	409	428	439	440	433	418	395
H.13	18	37	38	39	40	25	2
	410	429	430	431	432	417	394
H.14	19	20	21	22	23	24	1
	411	412	413	414	415	416	393



CIRCUIT 8—URANUS (24 UNITS)

1. V. 14, H. 14. BMU 393. (14) Fourteenth magnitude Beta-Beta hyperplasma Nucleus unit radiates hyperparton Kemio (light of inner heat) and neutralizes external space flow of Inner Time. Force field of waking conscious mediumship (4D) neutralized by Sirius B-52 force field of hyperplasmic enlightenment (9D). In Hunab Ku 21, Kemio governs the Court of the Pathfinder (Warrior) with hyperlumini-thermic catalyzing force. Eighth gate of first diagonal of unity.
2. V. 14, H. 13. BMU 394. (15) Fifteenth magnitude Output unit of Kemio hyperparton cell transmits light of inner heat from external hyperplasmic space flow of Inner Time through the Beta-Beta channel: Force field of waking conscious mediumship (4D) neutralized by Sirius B-52 force field of hyperplasmic enlightenment (9D).
3. V. 14, H. 12. BMU 395. (-) Sublimating unit of blue Duar electroactivating terminal (left hand time). Sublimates blue Duar luminic force field and red Descending electric current in the Ninth Time Dimension (Inner Core Time), seventh mental sphere: holomind perceiver.
4. V. 14, H. 11. BMU 396. Transformer unit. Catalyzes the blue Duar luminic force field transforming light of inner heat (Kemio) and heat of inner light (Kum) within Inner Core Time impressing the 7th mental sphere (holomind perceiver) and activating the sixth mental sphere (subliminal conscious). Eighth gate of unity of left hand time. Corresponds to the Navigator (Earth): first Matrix Portal of Hunab Ku 21 (centripetal luminic line of force). Links Hunab Ku with Cosmic Intelligence in the Court of the Pathfinder (Warrior/BMU 279). Navigation is the fulfillment of the consciousness of intelligence. From here is generated the luminic line of force that stimulates the subliminal states of consciousness and activates the harmonic order of the centripetal force field of intelligence. Solar-prophetic Uranus.

5. V. 14, H. 10. BMU 397. (+) Activating unit of blue Duar electroactivating terminal (left hand time). Activates blue Duar luminic force field and red Descending electric current in the Ninth Time Dimension (Inner Core Time), seventh mental sphere: holomind perceiver.
6. V. 14, H. 9. BMU 398. (15) Fifteenth magnitude Output unit of Kum hyperparton cell transmits heat of inner light from external hyperplasmic space flow of Inner Time through the Beta-Alpha channel: Force field of higher mind control (2D) neutralized by Sirius B-52 force field of hyperplasmic enlightenment (9D).
7. V. 14, H. 8. BMU 399. (14) Fourteenth magnitude Beta-Alpha hyperplasma Nucleus unit radiates Kum (heat of inner light) and neutralizes external space flow of Inner Time. Force field of waking conscious mediumship (4D) neutralized by Sirius B-52 force field of hyperplasmic enlightenment (9D). In Hunab Ku 21, Kum governs the Court of the Avatar (Hand) with hyperthermic-luminic stabilizing force. Eighth gate of second diagonal of unity.
8. V. 13, H. 8. BMU 400. (13) Thirteenth magnitude Input unit of Kum hyperparton cell receives heat of inner light from external hyperplasmic space flow of Inner Time through the Beta-Alpha channel: Force field of higher mind control (2D) neutralized by Sirius B-52 force field of hyperplasmic enlightenment (9D).
9. V. 12, H. 8. BMU 401. UR Harmonic Rune 105: Octave of Infinite Mind Wave. Octave 6: Octave of the Infinite Mind Wave. Strand 14.
10. V. 11, H. 8. BMU 402. UR Harmonic Rune 81: Radiogenesis Establishes Galactic Life Whole. Octave 3: Octave of the Galactic Life Whole. Rune Strand 11. Eighth gate of unity of vertical descending time. Corresponds to the Yogi/Yogini (Mirror): second Matrix Portal of Hunab Ku 21. Yogi mediates the Hunab Ku light-photon-cyclone force to the Dum Kuali thermic centrifugal line of force and the Kum luminic-thermic centripetal line of force. From here is generated the Hyperneutron that stimulates the subliminal states of consciousness. Activates the north polar harmonic cell of the Marka pole with the mental electron and seals the radial plasma: Limi. Opens the sixth heptad gate: Gate of the Transcendence. Solar-prophetic Neptune.
11. V. 10, H. 8. BMU 403. UR Harmonic Rune 65: Octave of the Divine Decree—"BE!" Octave 1: Octave of Divine Decree. Rune Strand 9.
12. V. 9, H. 8. BMU 404. (15) Fifteenth magnitude Output unit of Dum Kuali hyperparton cell transmits primal heat/thermic charge from external hyperplasmic space flow of Inner Time through the Alpha-Alpha channel: Force field of profound samadhi (1D) neutralized by Sirius B-52 force field of hyperplasmic enlightenment (9D).
13. V. 8, H. 8. BMU 405. (14) Fourteenth magnitude Alpha-Alpha hyperplasma Nucleus unit radiates Dum Kuali (primal heat) and neutralizes external space flow of Inner Time. Force field of profound samadhi (1D) neutralized by Sirius B-52 force field of hyperplasmic enlightenment (9D). In Hunab Ku 21, Dum Kuali governs the Court of the Compassionate One (Dog) with hyperelectric thermic force. Eighth gate of third diagonal of unity.

14. V. 8, H. 9. BMU 406. (13) Thirteenth magnitude Input unit of Dum Kuali hyperparton cell receives primal heat from external hyperplasmic space flow of Inner Time through the Alpha-Alpha channel: Force field of profound samadhi (2D) neutralized by Sirius B-52 force field of hyperplasmic enlightenment (9D).
15. V. 8, H. 10. BMU 407. (-) Sublimating unit of red Kuali electroactivating terminal (right hand time). Sublimates red Kuali thermic force field and blue Ascending electric current in the Ninth Time Dimension (Inner Core Time), seventh mental sphere: holomind perceiver.
16. V. 8, H. 11. BMU 408. Transformer unit. Catalyzes the red Kuali thermic force field transforming primal heat and primal light within Inner Core Time impressing the 7th mental sphere (holomind perceiver) and activating fifth mental sphere (superconscious). Eighth gate of unity of right hand time. Corresponds to the Worldchanger (Storm): third Matrix Portal of Hunab Ku 21(centrifugal thermic line of force). Links Hunab Ku with Court of the Compassionate One. Self-generation is the fulfillment of the cosmic consciousness of love. From here is generated the thermic line of force that stimulates the superconscious states of mind and activates the harmonic order of the centrifugal force field of love. Storm portal mediates Hunab Ku force field to ascending Dum Kuali and Dum Duar electrical charges. Solar-prophetic Pluto.
17. V. 8, H. 12. BMU 409. (+) Activating unit of red Kuali electroactivating terminal (right hand time). Activates red Kuali thermic force field and blue Ascending electric current in the Ninth Time Dimension (Inner Core Time), seventh mental sphere: holomind perceiver.
18. V. 8, H. 13. BMU 410. (13) Thirteenth magnitude Input unit of Dum Duar hyperparton cell receives primal light from external hyperplasmic space flow of Inner Time through the Alpha-Beta channel: Force field of informative samadhi (3D) neutralized by Sirius B-52 force field of hyperplasmic enlightenment (9D).
19. V. 8, H. 14. BMU 411. (14) Fourteenth magnitude Alpha-Beta hyperplasma Nucleus unit radiates Dum Duar (primal light) and neutralizes external space flow of Inner Time. Force field of informative samadhi (3D) neutralized by Sirius B-52 force field of hyperplasmic enlightenment (9D). In Hunab Ku 21, Dum Duar governs the Court of the Prophet (Skywalker) with hyperelectric luminic force. Eighth gate of fourth diagonal of unity.
20. V. 9, H. 14. BMU 412. (15) Fifteenth magnitude Output unit of Dum Duar hyperparton cell transmits primal light/luminic charge from external hyperplasmic space flow of Inner Time through the Alpha-Beta channel: Force field of informative samadhi (3D) neutralized by Sirius B-52 force field of hyperplasmic enlightenment (9D).
21. V. 10, H. 14. BMU 413. UR Harmonic Rune 98: Time Equalized by Union of Ascent and Descent. Octave 5: Octave of Union of Ascent and Descent. Strand 13
22. V. 11, H. 14. BMU 414. UR Harmonic Rune 90: Galactic Art Whole Defined by Time. Octave 4: Octave of the Galactic Art Whole. Strand 12. Eighth gate of unity of vertical ascending time. Corresponds to the Enlightened One (Sun): fourth Matrix Portal of Hunab Ku 21. Sun mediates Hunab Ku light-photon-cyclone force to the Dum Duar luminic centrifugal line of force and the

Kemio centripetal luminic-thermic lines of force. From here is generated the Hyperelectron that stimulates superconscious states of mind. Activates the south polar harmonic cell of the Darka pole with the double-extended electron and seals the fifth radial plasma: Alpha. Opens fifth heptad gate: Gate of the Timespace galactic-karmic Pluto.

23. V. 12, H. 14. BMU 415. UR Harmonic Rune 74: Tree of Fire Defined by Ring of Time. Octave 2: Octave of the Tree of Cosmic Fire. Strand 10.
24. V. 13, H. 14. BMU 416. (13) Thirteenth magnitude Input unit of Kemio hyperparton cell receives light of inner heat from external hyperplasmic space flow of Inner Time through the Beta-Beta channel: Force field of waking conscious mediumship (4D) neutralized by Sirius B-52 force field of hyperplasmic enlightenment (9D).

CIRCUIT 9—NEPTUNE (16 UNITS)

25. V. 13, H. 13. BMU 417. (16) Master hyperplasmic-parton coordinating unit of hyperparton cell Kemio, light of inner heat. Coordinates quadrant 4: Beta-Beta external hyperplasmic space flow of the Cosmic Cube. Beta-Beta interacts with Kemio and neutralizes force field of waking conscious mediumship. Ninth gate of first diagonal of unity.
26. V. 13, H. 12. BMU 418. Guardian of the fifth force Stations of the Ark. Bridges archetype of the awakened one with sublimated blue Duar luminic force field.
27. V. 13, H. 11. BMU 419. Central Gatekeeper Guardian of the fifth force Stations of the Ark. Bridges the archetype of the divine/galactic feminine with the blue Duar luminic transformer/station of the Navigator (Earth). Ninth gate of unity of left hand time.
28. V. 13, H. 10. BMU 420. Guardian of the fifth force Stations of the Ark. Bridges archetype of terma/terton (hidden treasure finder) with activated blue Duar luminic force field.
29. V. 13, H. 9. BMU 421. (16) Master hyperplasmic-parton coordinating unit of hyperparton cell Kum, heat of inner light. Coordinates quadrant 2: Beta-Alpha external hyperplasmic space flow of Cosmic Ascension. Beta-Alpha interacts with Kum and neutralizes force field of higher mind control. Ninth gate of second diagonal of unity.
30. V. 12, H. 9. BMU 422. Guardian of the fifth force Stations of the Ark. Bridges archetype of terma/terton with Rune Strand 6: Octave of Infinite Mind Wave.
31. V. 11, H. 9. BMU 423. Central Gatekeeper Guardian of the fifth force Stations of the Ark. Bridges archetype of the prophet with the Yogi/Yogini (Mirror) Hyperneutronic charge. Ninth gate of unity of vertical time descending.
32. V. 10, H. 9. BMU 424. Guardian of the fifth force Stations of the Ark. Bridges archetype of the progenitor of UR with Rune Strand 9: Octave of the Divine Decree.

33. V. 9, H. 9. BMU 425. (16) Master hyperplasmic-parton coordinating unit of hyperparton cell Dum Kuali, primal heat or thermic element. Coordinates quadrant 1: Alpha-Alpha profound samadhi of external hyperplasmic space flow of Cosmic Creation. Alpha-Alpha interacts with Dum Kuali and neutralizes force field of profound samadhi. Ninth gate of third diagonal of unity.
34. V. 9, H. 10. BMU 426. Guardian of the fifth force Stations of the Ark. Bridges archetype of the progenitor of UR with sublimated red Kuali thermic force field.
35. V. 9, H. 11. BMU 427. Central Gatekeeper Guardian of the fifth force Stations of Ark. Bridges archetype of divine/galactic masculine with the red Kuali thermic transformer/station of the Worldchanger (Storm). Ninth gate of unity of right hand time.
36. V. 9, H. 12. BMU 428. Guardian of the fifth force Stations of the Ark. Bridges the archetype of the avatars with activated red Kuali thermic force field.
37. V. 9, H. 13. BMU 429. (16) Master hyperplasmic-parton coordinating unit of hyperparton cell of Dum Duar, primal light or luminic element. Coordinates quadrant 3: Alpha-Beta informative samadhi external hyperplasmic space flow of Cosmic Synchronization. Alpha-Beta interacts with Dum Duar and neutralizes force field of informative samadhi. Ninth gate of fourth diagonal of unity.
38. V. 10, H. 13. BMU 430. Guardian of the fifth force Stations of the Ark. Bridges the archetype of the avatars with Rune Strand 13: Octave of the Union of Ascent and Descent.
39. V. 11, H. 13. BMU 431. Central Gatekeeper Guardian of the fifth force Stations of Ark. Bridges the archetype of the resurrection with the hyperelectronic charge of the Enlightened One (Sun).
40. V. 12, H. 13. BMU 432. Guardian of the fifth force Stations of the Ark. Bridges the archetype of the enlightened one with Rune Strand 10: Octave of the Tree of Cosmic Fire.

CIRCUIT 10—PLUTO (8 UNITS)

41. V. 12, H. 12. BMU 433. 4th Station of the Ark: Buddha—archetype of the enlightened one. Tenth gate of first diagonal of unity.
42. V. 12, H. 11. BMU 434. 6th Station of the Ark: Primal Eve—archetype of divinely creative/galactic feminine (Shakti).
43. V. 12, H. 10. BMU 435. 2nd Station of the Ark: Padmasambhava and St. John of Patmos—archetype of the revealer of hidden knowledge (terma). Tenth gate of second diagonal of unity.
44. V. 11, H. 10. BMU 436. 7th Station of the Ark: Muhammad and Quetzalcoatl—archetype of the divinely inspired prophet. Tenth gate of unity of vertical time descending.
45. V. 10, H. 10. BMU 437. 1st Station of the Ark: Abraham—archetype of the progenitor of UR. Tenth gate of third diagonal of unity.

46. V. 10, H. 11. BMU 438. 5th Station of the Ark: Primal Adam—archetype of the first created human type, the divine/galactic masculine (Shiva).
47. V. 10, H. 12. BMU 439. 3rd Station of the Ark: Krishna/Avatars—archetype of the avatar as the embodiment of the descent of divine knowledge. Tenth gate of fourth diagonal of unity.
48. V. 11, H. 12. BMU 440. 8th Station of the Ark: Jesus Christ—archetype of the Resurrection.

CIRCUIT 11—GALACTIC CORE (1 UNIT)

49. V. 11, H. 11. BMU 441. 9th Station of the Ark: Noah, Pacal (and Valum) Votan—archetype of the messengers of time and the system of the Cube. 11th dimensional channel from which the entire cube system of thought and galactic life patterns originate. From here into the corpus callosum flows the radially concentrating hyperplasmic Sirius B-52/Element 113. Hunab Ku 21: Magus of the Infinite. Central matrix of universe channel, the light-photon-cyclone of the fifth force power. Seat of the unity of totality. From the portal of Hunab Ku 21 is generated the hyperplasma Sirius B-52/Element 113 that stimulates radial states of consciousness and perception and activates the centrifugal and centripetal forces as the primary cosmic energies. 11th Gate of Unity: Omnidirectionality.

V.1 V.2 V.3 V.4 V.5 V.6 V.7 V.8 V.9 V.10 V.11 V.12 V.13 V.14 V.15 V.16 V.17 V.18 V.19 V.20 V.21

H.1	41	40	39	38	37	36	35	34	33	32	31	30	29	28	27	26	25	24	23	22	21
H.2	42	117	116	115	114	113	112	111	110	109	108	107	106	105	104	103	102	101	100	99	20
H.3	43	118	185	184	183	182	181	180	179	178	177	176	175	174	173	172	171	170	169	98	19
H.4	44	119	186	245	244	243	242	241	240	239	238	237	236	235	234	233	232	231	168	97	18
H.5	45	120	187	246	297	296	295	294	293	292	291	290	289	288	287	286	285	230	167	96	17
H.6	46	121	188	247	298	341	340	339	338	337	336	335	334	333	332	331	284	229	166	95	16
H.7	47	122	189	248	299	342	377	376	375	374	373	372	371	370	369	330	283	228	165	94	15
H.8	48	123	190	249	300	343	378	405	404	403	402	401	400	399	368	329	282	227	164	93	14
H.9	49	124	191	250	301	344	379	406	425	424	423	422	421	398	367	328	281	226	163	92	13
H.10	50	125	192	251	302	345	380	407	426	437	436	435	420	397	366	327	280	225	162	91	12
H.11	51	126	193	252	303	346	381	408	427	438	441	434	419	396	365	326	279	224	161	90	11
H.12	52	127	194	253	304	347	382	409	428	439	440	433	418	395	364	325	278	223	160	89	10
H.13	53	128	195	254	305	348	383	410	429	430	431	432	417	394	363	324	277	222	159	88	9
H.14	54	129	196	255	306	349	384	411	412	413	414	415	416	393	362	323	276	221	158	87	8
H.15	55	130	197	256	307	350	385	386	387	388	389	390	391	392	361	322	275	220	157	86	7
H.16	56	131	198	257	308	351	352	353	354	355	356	357	358	359	360	321	274	219	156	85	6
H.17	57	132	199	258	309	310	311	312	313	314	315	316	317	318	319	320	273	218	155	84	5
H.18	58	133	200	259	260	261	262	263	264	265	266	267	268	269	270	271	272	217	154	83	4
H.19	59	134	201	202	203	204	205	206	207	208	209	210	211	212	213	214	215	216	153	82	3
H.20	60	135	136	137	138	139	140	141	142	143	144	145	146	147	148	149	150	151	152	81	2
H.21	61	62	63	64	65	66	67	68	69	70	71	72	73	74	75	76	77	78	79	80	1

BASE MATRIX
DIMENSION OF NUMBER

V.1 V.2 V.3 V.4 V.5 V.6 V.7 V.8 V.9 V.10 V.11 V.12 V.13 V.14 V.15 V.16 V.17 V.18 V.19 V.20 V.21

H.1	1	2	3	7	10	11	12	217	218	219	85	226	227	228	37	38	39	20	46	47	48
H.2	4	5	6	8	13	14	15	220	221	222	86	229	230	231	40	41	42	21	49	50	51
H.3	7	8	9	9	16	17	18	223	224	225	87	232	233	234	43	44	45	22	52	53	54
H.4	1	2	3	13	6	5	4	79	80	81	91	84	83	82	14	15	16	26	19	18	17
H.5	19	20	21	12	28	29	30	235	236	237	90	244	245	246	55	56	57	25	64	65	66
H.6	22	23	24	11	31	32	33	238	239	240	89	247	248	249	58	59	60	24	67	68	69
H.7	25	26	27	10	34	35	36	241	242	243	88	250	251	252	61	62	63	23	70	71	72
H.8	145	146	147	59	154	155	156	289	290	291	111	298	299	300	181	182	183	72	190	191	192
H.9	148	149	150	60	157	158	159	292	293	294	112	301	302	303	184	185	186	73	193	194	195
H.10	151	152	153	61	160	161	162	295	296	297	113	304	305	306	187	188	189	74	196	197	198
H.11	53	54	55	65	58	57	56	105	106	107	117	110	109	108	66	67	68	78	71	70	69
H.12	163	164	165	64	172	173	174	307	308	309	116	316	317	318	199	200	201	77	208	209	210
H.13	166	167	168	63	175	176	177	310	311	312	115	319	320	321	202	203	204	76	211	212	213
H.14	169	170	171	62	178	179	180	313	314	315	114	322	323	324	205	206	207	75	214	215	216
H.15	73	74	75	33	82	83	84	253	254	255	98	262	263	264	109	110	111	46	118	119	120
H.16	76	77	78	34	85	86	87	256	257	258	99	265	266	267	112	113	114	47	121	122	123
H.17	79	80	81	35	88	89	90	259	260	261	100	268	269	270	115	116	117	48	124	125	126
H.18	27	28	29	39	32	31	30	92	93	94	104	97	96	95	40	41	42	52	45	44	43
H.19	91	92	93	38	100	101	102	271	272	273	103	280	281	282	127	128	129	51	136	137	138
H.20	94	95	96	37	103	104	105	274	275	276	102	283	284	285	130	131	132	50	139	140	141
H.21	97	98	99	36	106	107	108	277	278	279	101	286	287	288	133	134	135	49	142	143	144

TIME MATRIX
DIMENSION OF TIME

V.1 V.2 V.3 V.4 V.5 V.6 V.7 V.8 V.9 V.10 V.11 V.12 V.13 V.14 V.15 V.16 V.17 V.18 V.19 V.20 V.21

H.1	278	279	280	281	282	283	284	285	286	287	421	304	305	306	307	308	309	310	311	312	313
H.2	277	16	50	9	55	11	53	14	52	288	422	303	80	114	73	119	75	117	78	116	314
H.3	276	1	63	8	58	6	60	3	61	289	423	302	65	127	72	122	70	124	67	125	315
H.4	275	64	2	57	7	59	5	62	4	290	424	301	128	66	121	71	123	69	126	68	316
H.5	274	49	15	56	10	54	12	51	13	291	425	300	113	79	120	74	118	76	115	77	317
H.6	273	48	18	41	23	43	21	46	20	292	426	299	112	82	105	87	107	85	110	84	318
H.7	272	33	31	40	26	38	28	35	29	293	427	298	97	95	104	90	102	92	99	93	319
H.8	271	32	34	25	39	27	37	30	36	294	428	297	96	98	89	103	91	101	94	100	320
H.9	270	17	47	24	42	22	44	19	45	295	429	296	81	111	88	106	86	108	83	109	321
H.10	269	268	267	266	265	264	263	262	261	257	430	258	330	329	328	327	326	325	324	323	322
H.11	401	402	403	404	405	406	407	408	409	410	441	420	419	418	417	416	415	414	413	412	411
H.12	339	338	337	336	335	334	333	332	331	259	440	260	400	399	398	397	396	395	394	393	392
H.13	340	144	178	137	183	139	181	142	180	365	439	366	208	242	201	247	203	245	206	244	391
H.14	341	129	191	136	186	134	188	131	189	364	438	367	193	255	200	250	198	252	195	253	390
H.15	342	192	130	185	135	187	133	190	132	363	437	368	256	194	249	199	251	197	254	196	389
H.16	343	177	143	184	138	182	140	179	141	362	436	369	241	207	248	202	246	204	243	205	388
H.17	344	176	146	169	151	171	149	174	148	361	435	370	240	210	233	215	235	213	238	212	387
H.18	345	161	159	168	154	166	156	163	157	360	434	371	225	223	232	218	230	220	227	221	386
H.19	346	160	162	153	167	155	165	158	164	359	433	372	224	226	217	231	219	229	222	228	385
H.20	347	145	175	152	170	150	172	147	173	358	432	373	209	239	216	234	214	236	211	237	384
H.21	348	349	350	351	352	353	354	355	356	357	431	374	375	376	377	378	379	380	381	382	383

SPACE MATRIX
DIMENSION OF SPACE

V.1 V.2 V.3 V.4 V.5 V.6 V.7 V.8 V.9 V.10 V.11 V.12 V.13 V.14 V.15 V.16 V.17 V.18 V.19 V.20 V.21

H.1	1	43	85	127	1	21	41	61	81	101	121	141	161	181	201	221	241	168	126	84	42
H.2	2	44	86	128	2	22	42	62	82	102	122	142	162	182	202	222	242	167	125	83	41
H.3	3	45	87	129	3	23	43	63	83	103	123	143	163	183	203	223	243	166	124	82	40
H.4	4	46	88	130	4	24	44	64	84	104	124	144	164	184	204	224	244	165	123	81	39
H.5	5	47	89	131	5	25	45	65	85	105	125	145	165	185	205	225	245	164	122	80	38
H.6	6	48	90	132	6	26	46	66	86	106	126	146	166	186	206	226	246	163	121	79	37
H.7	7	49	91	133	7	27	47	67	87	107	127	147	167	187	207	227	247	162	120	78	36
H.8	8	50	92	134	8	28	48	68	88	108	128	148	168	188	208	228	248	161	119	77	35
H.9	9	51	93	135	9	29	49	69	89	109	129	149	169	189	209	229	249	160	118	76	34
H.10	10	52	94	136	10	30	50	70	90	110	130	150	170	190	210	230	250	159	117	75	33
H.11	11	53	95	137	—	==	≡	≡	≡	158	116	74	32
H.12	12	54	96	138	11	31	51	71	91	111	131	151	171	191	211	231	251	157	115	73	31
H.13	13	55	97	139	12	32	52	72	92	112	132	152	172	192	212	232	252	156	114	72	30
H.14	14	56	98	140	13	33	53	73	93	113	133	153	173	193	213	233	253	155	113	71	29
H.15	15	57	99	141	14	34	54	74	94	114	134	154	174	194	214	234	254	154	112	70	28
H.16	16	58	100	142	15	35	55	75	95	115	135	155	175	195	215	235	255	153	111	69	27
H.17	17	59	101	143	16	36	56	76	96	116	136	156	176	196	216	236	256	152	110	68	26
H.18	18	60	102	144	17	37	57	77	97	117	137	157	177	197	217	237	257	151	109	67	25
H.19	19	61	103	145	18	38	58	78	98	118	138	158	178	198	218	238	258	150	108	66	24
H.20	20	62	104	146	19	39	59	79	99	119	139	159	179	199	219	239	259	149	107	65	23
H.21	21	63	105	147	20	40	60	80	100	120	140	160	180	200	220	240	260	148	106	64	22

SYNCHRONIC MATRIX
DIMENSION OF SYNCHRONICITY

